

TAKEUCHI

Attachment Catalog Land Management



Takeuchi, the right choice in attachments

Mulchers, Stump Grinders, Buckets, Grapples, Augers, Brooms, and many more options to fit all your application needs.

Takeuchi Attachment Catalog

Table of Contents

4	LAND & VEGETATION MANAGEMENT
6	Forestry Mulchers -Excavator & Track Loader
12	Stump Cutters
14	Stone Crusher - Track Loader
16	Tree Disc Mulcher
18	Rotary Brush Cutters
24	Tree Boom
26	Tiller
27	Root Rake Grapple

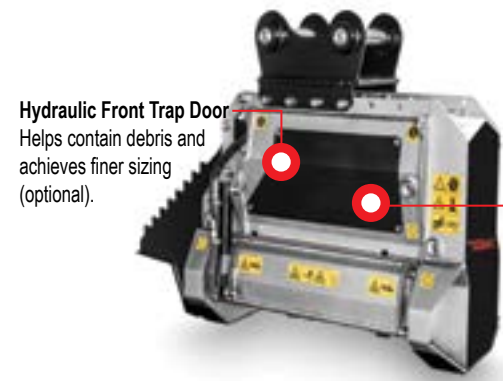


Land & Vegetation Management



Forestry Mulcher / Excavators

Forestry Mulcher with Bite Limiter Technology

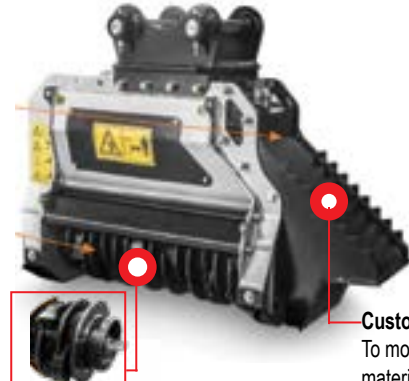


Hydraulic Front Trap Door
Helps contain debris and achieves finer sizing (optional).

Hydraulic Piston Motor w/ manual Displacement Control
Integrated relief valve and anti-cavitation valve.

13 to 55 gpm
Flow Rates

6 to 16 t
Excavator Size



Bite Limiter Rotor
Special steel limiter rings control the depth of the blade action.

Custom Made Heel
To move and reposition material.



TB257FR - TB260 TAKEUCHI MULCHERS

	Part Number	Flow Rate	Pressure	Working Width	Weight	Max. Shred Diameter	# Teeth
Takeuchi Professional Bite Limiter Mulcher with 75 cm Rotor for Up to 5" Material	TBL1EX75	13-34 gpm	2611-5076 psi	31"	783 lb	5"	14 Type E
Takeuchi Professional Bite Limiter Mulcher with 75 cm Rotor and Variable Torque Motor for Up to 5" Material	TBL1EX75VT	17-34 gpm	2611-5076 psi	31"	783 lb	5"	14 Type E
Takeuchi Fixed Tooth Forestry Mulcher with 100 cm Rotor	TDMLHY100	17-33 gpm	2610-3625 psi	39"	981 lb	5"	24 Type E
Takeuchi Fixed Tooth Forestry Mulcher with 100 cm Rotor and Variable Torque Motor	TDMLHY100VT	21-36 gpm	2610-5075 psi	39"	992 lb	5"	24 Type E
Takeuchi Fixed Tooth Forestry Mulcher with 125 cm Rotor	TDMLHY125	17-33 gpm	2610-3625 psi	49"	1,135 lb	5"	30 Type E
Takeuchi Fixed Tooth Forestry Mulcher with 125 cm Rotor and Variable Torque Motor	TDMLHY125VT	21-36 gpm	2620-5075 psi	49"	1,146 lb	5"	30 Type E

TB370 - TB280FR - TB290 TAKEUCHI MULCHERS

Takeuchi Professional Bite Limiter Mulcher with 100 cm Rotor and Variable Torque Motor, for Up to 6" Material	TBL2EX100VT	26-37 gpm	2610-5975 psi	39.0 in	1,257 lb	6.0 in	18 Type E
Takeuchi Fixed Tooth Forestry Mulcher with 100 cm Rotor	TDMLHY100	17-33 gpm	2610-3625 psi	39.0 in	981 lb	5.0 in	24 Type E
Takeuchi Fixed Tooth Forestry Mulcher with 100 cm Rotor and Variable Torque Motor	TDMLHY100VT	21-36 gpm	2610-5075 psi	39.0 in	992 lb	5.0 in	24 Type E
Takeuchi Fixed Tooth Forestry Mulcher with 125 cm Rotor	TDMLHY125	17-33 gpm	2610-3625 psi	49.0 in	1,135 lb	5.0 in	30 Type E
Takeuchi Fixed Tooth Forestry Mulcher with 125 cm Rotor and Variable Torque Motor	TDMLHY125VT	21-36 gpm	2620-5075 psi	49.0 in	1,146 lb	5.0 in	30 Type E

TB2150 TAKEUCHI MULCHERS

Takeuchi Professional Bite Limiter Mulcher with 100 cm Rotor and Variable Torque Motor for Up to 6" Material	TBL2EX100VT	26-37 gpm	2610-5975 psi	39.0 in	1,257 lb	6.0 in	18 Type E
Takeuchi Professional Bite Limiter Mulcher with 125 cm Rotor and Variable Torque Motor for Up to 6" Material	TBL2EX125VT	26-37 gpm	2610-5075 psi	49.0 in	1,378 lb	6.0 in	22 Type E
Takeuchi Professional Bite Limiter Mulcher with 100 cm Rotor and Variable Torque Motor for Up to 8" Material	TBL3EX125VT	32-55 gpm	2610-5075 psi	53.0 in	2,138 lb	8.0 in	20 Type E/1 C3 SSL/1C3 SSR
Takeuchi Professional Bite Limiter Mulcher with 125 cm Rotor and Variable Torque Motor for Up to 8" Material	TBL3EX150VT	32-55 gpm	2619-5075 psi	62.0 in	2,381 lb	8.0 in	24 Type E/1 C3 SSL/1C3 SSR
Takeuchi Fixed Tooth Forestry Mulcher with 125 cm Rotor and Variable Torque Motor	TUMLHY125VT	26-38 gpm	2600-5070 psi	53.0 in	2,138 lb	6.0 in	26 C3/1 C3 SSL/1 C3 SSR

Forestry Mulcher / Excavators

Forestry Mulcher with Bite Limiter Technology *continued*



Mounting Bracket Part #'s for **Takeuchi** Excavators

	TB240	TB250-2	TB260	TB280FR	TB257FR	TB290	TB370	TB2150
TBL1EX75	TD132006580	TD132006580	TD132006640	-	TD132006580	-	TD132006700	-
TBL1EX075VT	TD132006580	TD132006580	TD132006640	-	TD132006580	-	TD132006700	-
TDMLHY100	-	-	TD132006680	TD132006740	TD132006620	TD132006740	TD132006740	-
TDMLHY100VT	-	-	TD132006680	TD132006740	TD132006620	TD132006740	TD132006740	-
TDMLHY125	-	-	TD132006680	TD132006740	TD132006620	TD132006740	TD132006740	-
TDMLHY125VT	-	-	TD132006680	TD132006740	TD132006620	TD132006740	TD132006740	-
TBL2EX100VT	-	-	-	TD150002040	-	TD150002040	-	-
TBL2EX125VT	-	-	-	TD150002040	-	TD150002040	-	-
TBLEX3125V	-	-	-	-	-	-	-	TD151001890
TBLEX3150VT	-	-	-	-	-	-	-	TD151001890
TUMLHY125VT	-	-	-	-	-	-	-	TD121180260

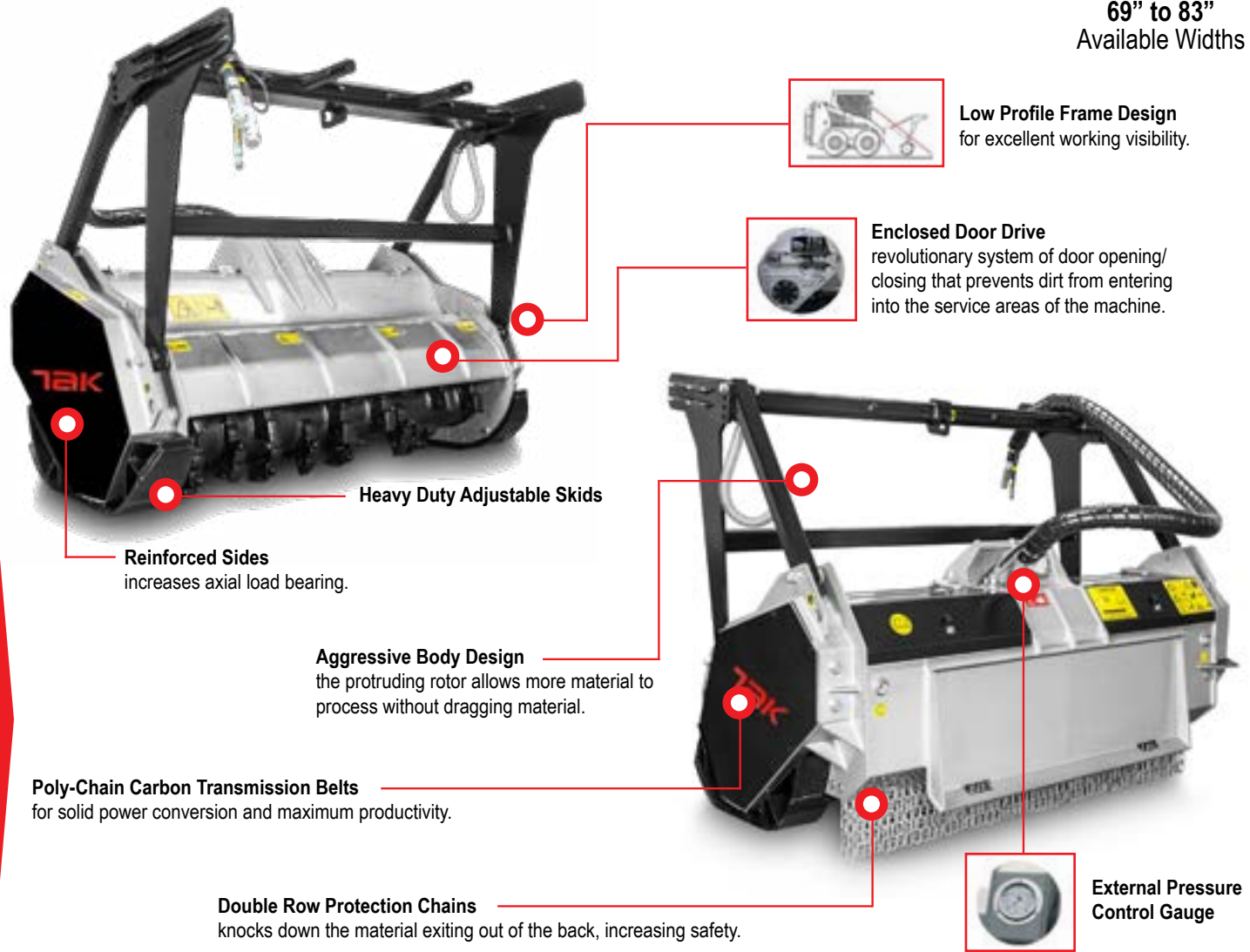
Case Drain Kits & Front Window Guard Kits for **Takeuchi** Excavators

	TB257FR	TB260	TB370	TB280FR	TB290	TB2150
Takeuchi Case Drain Kit	TTB257FRCDKIT	TTB260CDKIT	TTB370CDKIT	TTB280FRCDKIT	TTB290CDKIT	TTB2150CDKIT
Takeuchi Front Window Guard Kit	TTB257FRFWGKIT	TTB260FWGKIT	TTB370FWGKIT	TTB280FRFWGKIT	TTB290FWGKIT	TTB2150FWGKIT

Forestry Mulcher / Track Loader

Takeuchi Fixed Tooth Forestry Mulcher

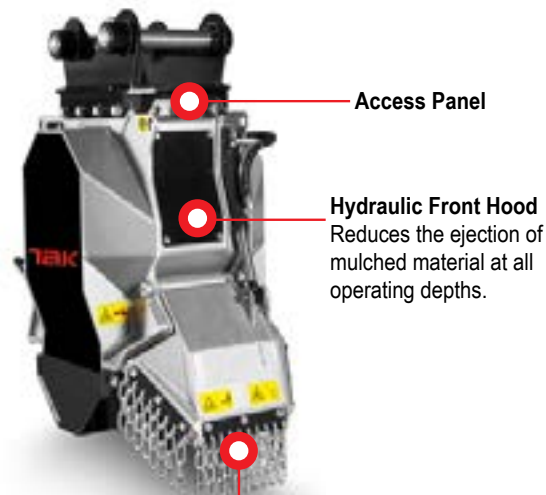
16 to 55gpm
Flow Rates
69" to 83"
Available Widths



TL8R2 - TL10V2 Takeuchi Mulchers	Part Number	Flow Rate	Pressure	HP Range	Working Width	Overall Width	Weight	Max. Shred Diameter	# Teeth
Takeuchi Fixed Tooth Forestry Mulcher with 150 cm Rotor and Variable Torque Motor	TDMLSSL150VT	16-30 gpm	2,600-5,000 psi	40-75 HP	59"	69"	1,656 lb	5"	36 Type E
Takeuchi Fixed Tooth Forestry Mulcher with 175 cm Rotor and Variable Torque Motor	TDMLSSL175VT	16-30 gpm	2,600-5,000 psi	40-75 HP	68"	79"	1,950 lb	5"	42 Type E
TL12R2 - TL12V2 Takeuchi Mulcher									
Takeuchi Universal High Flow Mulcher with 150 cm Rotor, Bite Limiter, and Variable Torque Motor	TUMLSSL150VTBL	34-53 gpm	2,900-5,000 psi	90-120 HP	62"	74"	2,756 lb	8"	24 C3 Blade/24 Adaptor/1 C3 SSL/1 C3 SSR
Takeuchi Universal High Flow Mulcher with 175 cm Rotor, Bite Limiter, and Variable Torque Motor	TUMLSSL175VTBL	34-53 gpm	2,900-5,000 psi	90-120 HP	72"	83"	2,954 lb	8"	30 C3 Blade/30 Adaptor/1 C3 SSL/1 C3 SSR
Takeuchi Fixed Tooth High Flow Forestry Mulcher with 150 cm Rotor and Variable Torque Motor	TUMLSSL150VT	30-55 gpm	2,900-5,000 psi	90-120 HP	62"	74"	2,866 lb	8"	32 C3/1 C3 SSL/1 C3 SSR
Takeuchi Fixed Tooth High Flow Forestry Mulcher with 175 cm Rotor and Variable Torque Motor	TUMLSSL175VT	30-55 gpm	2,900-5,000 psi	90-120 HP	72"	83"	3,086 lb	8"	36 C3/1 C3 SSL/1 C3 SSR

Stump Cutter / Excavator

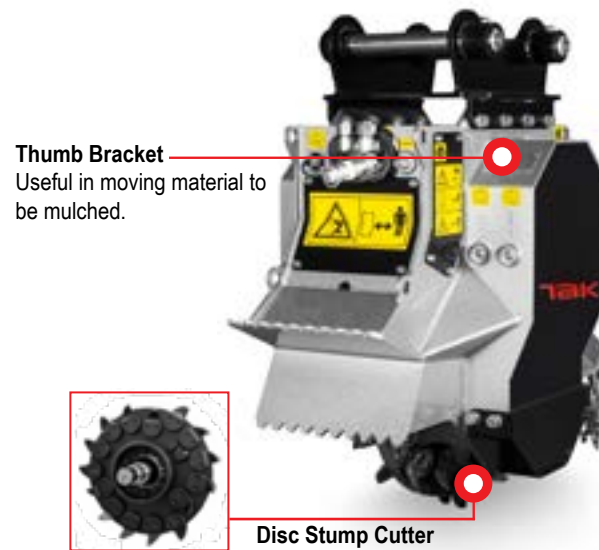
TSCLHY



Access Panel

Hydraulic Front Hood
Reduces the ejection of mulched material at all operating depths.

Interchangeable Attachable Protection Chains
Limit mulched material output.



Thumb Bracket
Useful in moving material to be mulched.



Disc Stump Cutter

TB257FR - TB260 **Takeuchi** Stump Cutter - Takeuchi Compact Stump Cutter

Part Number	Flow Rate	Pressure	Rotor Diameter	Total Width	Weight	# Teeth
TSCLHY	13-26 gpm	2,610-5,075 psi	22.4"	23.6"	1,014 lb	15 Type L1 15 Type L2

- 32/65cc variable manual displacement hydraulic piston motor with relief and anti-cavitation valve.
- Flow control system valve.
- Diverter valve (plug in and play)
- Safety and anti-cavitation valve.
- Enclosed / anti-dust machine body.
- Motor enclosed in the frame.
- Belt transmission.

13 to 26 gpm
Flow Rate
5 to 6 t
Excavator Size

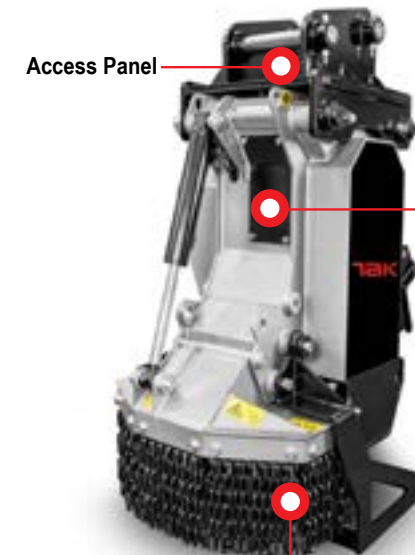


Stump Cutter / Excavator

TSCLEXVT

26 to 42 gpm
Flow Rate

6 to 16 t
Excavator Size



Access Panel

Front Hydraulic Hood
with Bolt-on Chains



VT Motor
Adjustable motor to obtain the maximum performance from any excavator, protected from dirt and damage.



Motor Enclosed in Frame
Protected from dirt and damage.

Adjustable Supporting Service Stand
For storing the machine when not in use.

- Anti dust machine body.
- Belt transmission
- 110/60cc variable torque hydraulic piston motor.
- Flow control system valve.
- Hydraulic front hood.

- Motor integrated into the frame.
- Screwed protection chains.
- Adjustable supporting service stand
- Blank attachment plate.
- Bolted on protection chains.

TB370 - TB280FR - TB290 - TB2150 **Takeuchi** Stump Cutter Takeuchi Heavy Duty Stump Cutter with Variable Torque Motor

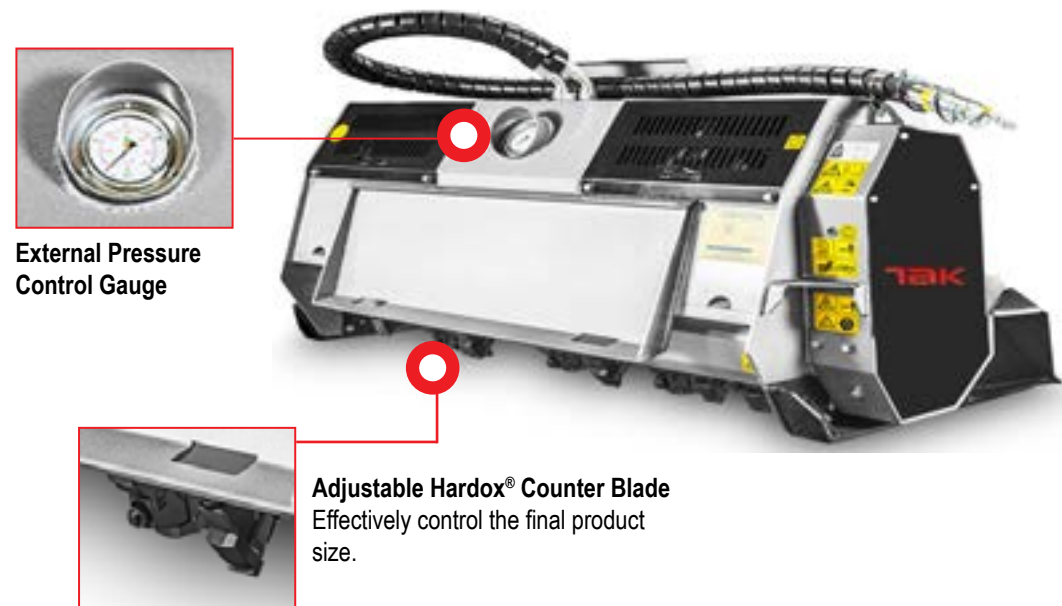
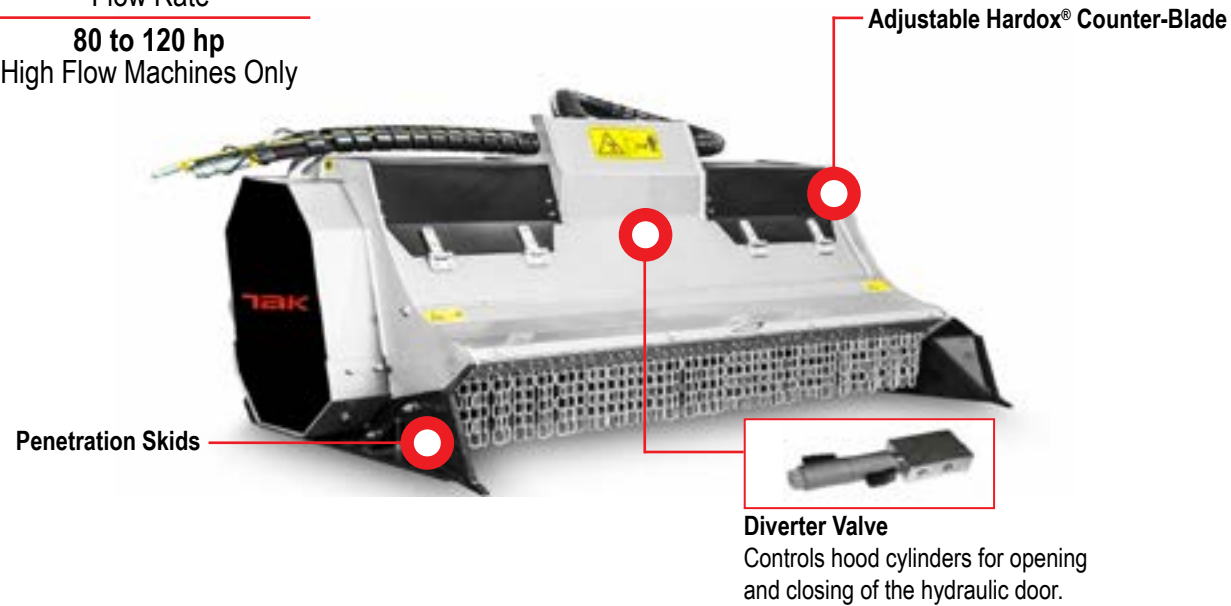
Part Number	Flow Rate	Pressure	Rotor Diameter	Total Width	Weight	# Teeth
TSCLEXVT	26-42 gpm	2,600 - 5,000	26"	26.8"	1,665 lb	L1 12+3 L2 12+3 L3 12+3 L4 12+3

Stone Crusher / Track Loader

Takeuchi High Flow Stone Crusher with Fixed Teeth / TSTCSSL150VT

30 to 40 gpm
Flow Rate

80 to 120 hp
High Flow Machines Only



- Designed for **High Flow** machines
- Hydraulic piston motor 125cc with relief and anti-cavitation valve.
- HARDOX® counter knives allows the operator to adjust the size of the final product.
- Inner hydraulic dozing hood with adjustable cylinder for better output material regulation.
- Spiral rotor configuration ensures perfect crushing.
- Rear hydraulic door is used to adjust the amount of material exiting the crushing chamber.
- Working pressure control gauge.

TL12R2/TL12V2 Takeuchi Stone Crusher Takeuchi High Flow Stone Crusher with Fixed Teeth

Part Number	Flow Rate	Pressure	Horsepower Range	Working Width	Overall Width	Weight	Max. Working Depth	Teeth
TSTCSSL150VT	35-40 gpm	3,000 - 5,000 psi	90 - 120 hp	63"	74.4"	3,061 lb	6"	30 STD/STCL + 2 C3/SSL + 2 C3/SSR

Tree Disc Mulcher

TDM60

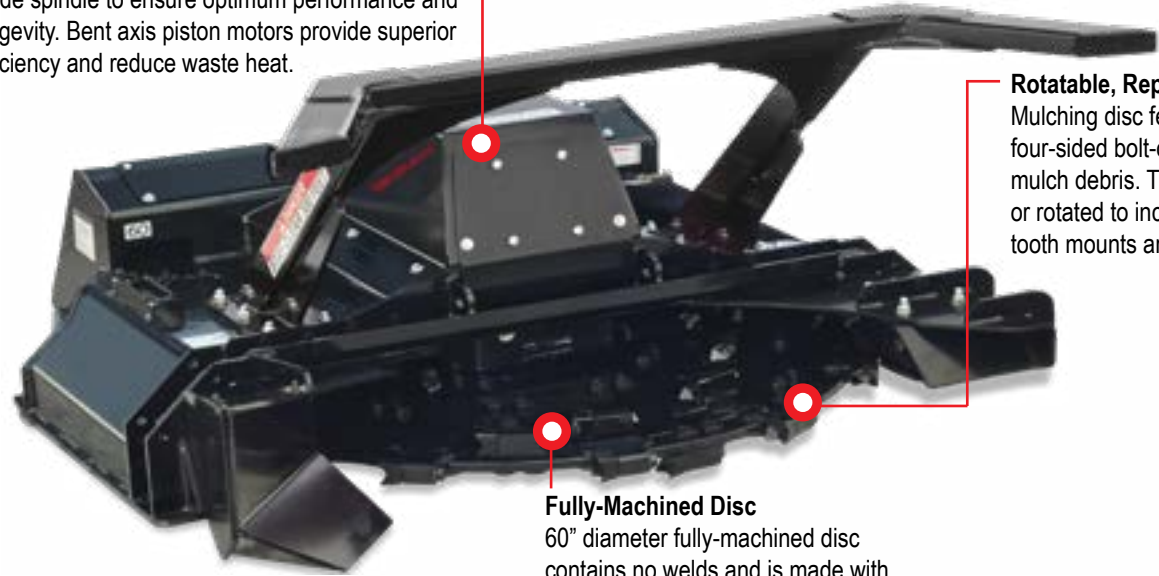
60"
Cut Width

30 - 45 GPM
One Motor Option
High Flow Only

Greater Than **2,800 lb**
Recommended Loader Capacity

Direct Drive System with Piston Motor

Utilizes a hydraulic bent axis piston motor and USA made spindle to ensure optimum performance and longevity. Bent axis piston motors provide superior efficiency and reduce waste heat.



Rotatable, Replaceable Teeth

Mulching disc features 44 Quadco® four-sided bolt-on teeth to efficiently mulch debris. The teeth can be replaced or rotated to increase wear life. Bolt-on tooth mounts are also replaceable.

Fully-Machined Disc

60" diameter fully-machined disc contains no welds and is made with 1 1/4" thick, high-strength steel.

MODEL SPECS	TDM60
Cut Width	60"
Overall Width	70"
Overall Height	40.5"
Overall Depth	77.5"
Deck Height	11"
Push Bar Height	40.5"
Minimum Cut Height	2.1"
Cutting Capacity, Diameter	14"
Number of Teeth: Top / Bottom / Outside	12 / 20 / 12
Maximum Disc Thickness	1.25"
Deck Thickness: Top, Side / Inside	0.25 / 0.375 ¹
Recommended Flow Rate	30-45 GPM High Flow Only
Approximate Weight	2,710 lb
Recommended Loader Capacity	Greater than 2,800 pounds
Number of Teeth (optional)	20

¹Inside Deck material is Grade 80 Plate (80,000 PSI minimum yield strength).



Disc Tip Speeds (FPM)

Standard Flow Models - 25

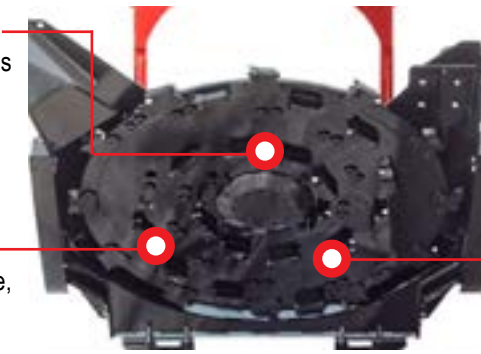
Model	30 GPM Minimum	45 GPM Maximum
TDM60	11,153	16,729

Flow rates in gallons per minute (GPM) and blade tip speeds in feet per minute (FPM)

Under Deck Details

Bearing & Spindle Protection

5/8" x 5" double-sided flat blades can be flipped to utilize second sharpened edges.



Heavy-Duty Deck

Interior deck weldments utilize, at minimum, 3/8" thick, grade 80 steel.

Recutter Bar

Three deck mounted teeth and recutter bar help prevent jams, improve mulching and produce a finished look.

Blades mounted to a large circular flywheel, ensures the flywheel bounces off stumps rather than catching and damaging components.

Disc Mulcher Tooth Kit	Model	Weight	Qty
	TDM60TK	70 lb	44
Disc Mulcher Tooth - Top / Bottom	Model	Weight	
	TDMMRTB	2 lb	
Disc Mulcher Tooth - Outer Disc	Model	Weight	
	TTDMPTO	2 lb	

Closed Front Rotary Brush Cutter

TRBV66 / TRBV72 / TRBV78

66" - 78"
Available
Cut Widths

14 - 42 GPM
Four Motor Options
High Flow Available

Greater Than **1,500 lb**
Recommended Loader Capacity

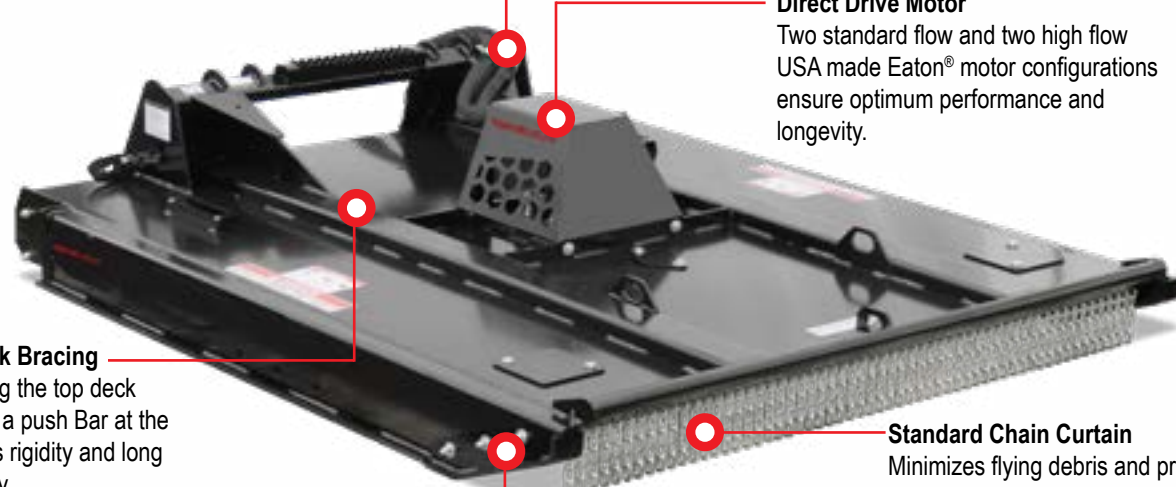
Pressure Relief Valves
Dual pressure relief valves protect the motor and the loader's hydraulic system for damaging pressure spikes.

Direct Drive Motor
Two standard flow and two high flow USA made Eaton® motor configurations ensure optimum performance and longevity.

Rugged Deck Bracing
Bracing along the top deck connected to a push Bar at the front provides rigidity and long term durability.

Replaceable Skid Shoes
Adds deck strength and provides longer wear life.

Standard Chain Curtain
Minimizes flying debris and provides better mulching capability.



MODEL SPECS	TRBV66	TRBV72	TRBV78
Cut Width	66"	72"	78"
Overall Width	72"	78"	84"
Overall Height	20.9"	20.9"	20.9"
Overall Depth	87.8"	93.8"	99.8"
Deck Height	8.8"	8.8"	8.8"
Minimum Cut Height	1.8"	1.8"	1.8"
Cutting Capacity, Diameter	4"	4"	4"
Deck Thickness: Top / Side	0.25" / 0.25" ¹	0.25" / 0.25" ¹	0.25" / 0.25" ¹
Recommended Flow Rate	14-25 GPM Standard Flow 25-42 GPM High Flow		
Approximate Weight	1,325 ² lb	1,435 ² lb	1,540 ² lb
Recommended Loader Capacity	Greater than 1,500 pounds		

¹Deck material is Grade 50 Plate (50,000 PSI minimum yield strength). ²High Flow motor options add approximately 70 pounds to model weight.

Under Deck Details

Three Updraft Blades
1/2" x 4" single-sided updraft blades for an efficient cutting and mulching system.

Dynamic Braking
Stops the 170-225 lb flywheel in under 10 seconds.



Blades mounted to a large circular flywheel, ensures the flywheel bounces off stumps rather than catching and damaging components.



Optional Rear Roller - Closed Front

Model	Weight
TBCR66	173 lb
TTBCR72	185 lb
TBCR78	197 lb



- 360° rotating swivel casters produce a better cut by creating a smoother ride and limiting gouging and scalping.
- 5 1/2" diameter caster with 1 1/4" greaseable pins.
- Sold as a pair and includes all required hardware.

Optional Swivel Casters

Model	Weight
BCC	81



- Compacts chopped material and produces a better cut by limiting gouging and scalping.
- 5 1/4" diameter roller with 2" diameter shaft and bearings.
- Includes all required hardware.

Blade Tip Speeds (FPM)

Standard Flow Models - 18

Model	14 GPM Minimum	18 GPM Maximum
TRBV66-18	11,400	14,660

Standard Flow Models - 25

Model	18 GPM Minimum	25 GPM Maximum
TRBV72-25	12,640	17,555
TRBV78-25	13,695	19,700

High Flow Models - HF33

Model	25 GPM Minimum	33 GPM Maximum
TRBV72-HF33	13,775	18,185
TRBV78-HF33	14,925	19,700

High Flow Models - HF42

Model	33 GPM Minimum	42 GPM Maximum
TRBV72-HF42	12,070	15,365
TRBV78-HF42	13,080	16,645

Flow rates in gallons per minute (GPM) and blade tip speeds in feet per minute (FPM)

Cutter Blade Kit for Closed Front

Model	Weight
TCBK66	41 lb
TCBK72	47 lb
TCBK78	51 lb

Open Front Rotary Brush Cutter

TRBV66-O / TRBV72-O / TRBV78-O

66" - 84"
Available
Cut Widths

14 - 42 GPM
Four Motor Options
High Flow Available

Greater Than **1,500 lb**
Recommended Loader Capacity

Pressure Relief Valves

Dual pressure relief valves protect the motor and the loader's hydraulic system for damaging pressure spikes.

Direct Drive Motor

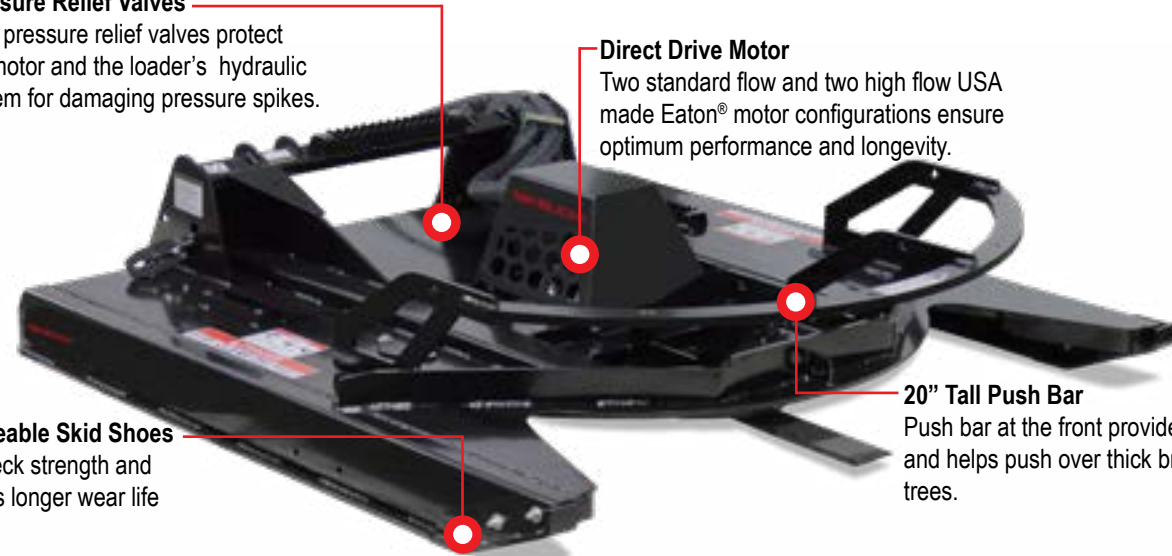
Two standard flow and two high flow USA made Eaton® motor configurations ensure optimum performance and longevity.

20" Tall Push Bar

Push bar at the front provides rigidity and helps push over thick brush and trees.

Replaceable Skid Shoes

Adds deck strength and provides longer wear life



MODEL SPECS	TRBV66-O	TRBV72-O	TRBV78-O
Cut Width	66"	72"	78"
Overall Width	72"	78"	84"
Overall Height	21.4"	21.4"	21.4"
Overall Depth	76.3"	82.3"	88.3"
Deck Height	7.3"	7.3"	7.3"
Push Bar Height	20.4"	20.4"	20.4"
Minimum Cut Height	2"	2"	2"
Cutting Capacity, Diameter	6"	6"	6"
Deck Thickness: Top / Side	0.25" ¹	0.25" ¹	0.25" ¹
Recommended Flow Rate	14-25 GPM Standard Flow 25-42 GPM High Flow		
Approximate Weight	1,465 ² lb	1,550 ² lb	1,625 ² lb
Recommended Loader Capacity	Greater than 1,500 pounds		

¹Deck material is Grade 50 Plate (50,000 PSI minimum yield strength).

²High Flow motor options add approximately 70 pounds to model weight.

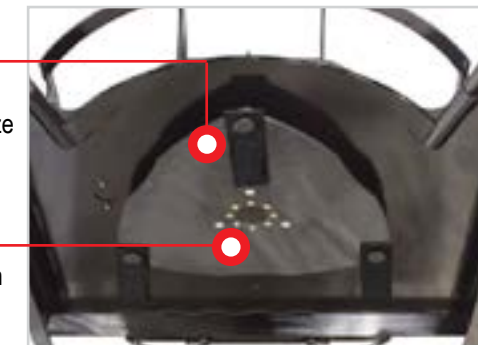
Under Deck Details

Three Flat Blades

5/8" x 5" double-sided flat blades can be flipped to utilize second sharpened edges.

Dynamic Braking

Stops the 275 lb flywheel in under 10 seconds.



Blades mounted to a large circular flywheel, ensures the flywheel bounces off stumps rather than catching and damaging components.

Cutter Blade Kit for Open Front	Model	Weight
	TOBK66	47 lb
	TOBK72	47 lb
	TOBK78	47 lb
	TOBK84	47 lb

Blade Tip Speeds (FPM)

Standard Flow Models - 18-O		
Model	14 GPM Minimum	18 GPM Maximum
TRBV66-18-O	11,400	14,660
Standard Flow Models - 25-O		
Model	18 GPM Minimum	25 GPM Maximum
TRBV72-25-O	12,640	17,555
TRBV78-25-O	13,695	19,700
TRBV84-25-O	14,748	20,483
High Flow Models - HF33-O		
Model	25 GPM Minimum	33 GPM Maximum
TRBV72-HF33-O	13,775	18,185
TRBV78-HF33-O	14,925	19,700
TRBV84-HF33-O	16,076	21,220
High Flow Models - HF42-O		
Model	33 GPM Minimum	42 GPM Maximum
TRBV72-HF42	12,070	15,365
TRBV78-HF42-O	13,080	16,645
TRBV84-HF42-O	14,087	17,929

Flow rates in gallons per minute (GPM) and blade tip speeds in feet per minute (FPM)

Industrial Rotary Cutter

TIRC78 / TIRC78

78" - 84" Available Cut Widths
20 - 45 GPM Four Motor Options High Flow Available
 Greater Than **2,200 lb** Recommended Loader Capacity

Pressure Relief Valves
 Dual pressure relief valves protect the motor and the loader's hydraulic system for damaging pressure spikes.

Direct Drive Motor
 One standard flow and three high flow USA made Eaton® motor configurations ensure optimum performance and longevity.

Replaceable Skid Shoes
 Adds deck strength and provides longer wear life

23" Tall Push Bar
 Push bar at the front provides rigidity and helps push over thick brush and trees.



MODEL SPECS	TIRC78	TIRC84
Cut Width	78"	84"
Overall Width	84"	90"
Overall Height	20.1"	20.1"
Overall Depth	86.3"	92.3"
Deck Height	8.3"	8.3"
Push Bar Height	23.4"	23.4"
Minimum Cut Height	2.3"	2.3"
Cutting Capacity, Diameter	8"	8"
Deck Thickness: Top / Side	0.25" ¹	0.25" ¹
Recommended Flow Rate	20-25 GPM Standard Flow 25-45 GPM High Flow	
Approximate Weight	2,280 ² lb	2,420 ² lb
Recommended Loader Capacity	Greater than 2,200 pounds	
Number of Teeth (optional)	20	24

¹Deck material is Grade 50 Plate (50,000 PSI minimum yield strength).
²High Flow motor options add approximately 70 pounds to model weight.

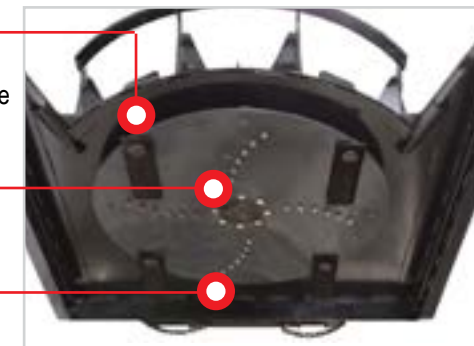
Cutter Blade Kit for Industrial	Model	Weight
	TIBK72	62 lb
	TIBK78	62 lb
	TIBK84	62 lb

Under Deck Details

Four Flat Blades
 5/8" x 5" double-sided flat blades can be flipped to utilize second sharpened edges.

Dynamic Braking
 Stops the 275 lb flywheel in under 10 seconds.

Optional Carbide Teeth
 Grind stumps and mulch material for a better finish.



Blades mounted to a large circular flywheel, ensures the flywheel bounces off stumps rather than catching and damaging components.

Blade Tip Speeds (FPM)

Standard Flow Models - 25

Model	20 GPM Minimum	25 GPM Maximum
TIRC78-25	11,940	14,925
TIRC84-25	12,861	16,075

High Flow Models - HF45

Model	39 GPM Minimum	45GPM Maximum
TRBV78-HF45	12,264	14,151
TRBV84-HF45	13,207	15,240

Flow rates in gallons per minute (GPM) and blade tip speeds in feet per minute (FPM)

Cutter Tooth Kit - IRC	Model	Weight	Qty
	TIBK72TKH	13 lb	20
	TIBK78TKH	16 lb	24
	TIBK84TKH	18 lb	28
Cutter Tooth Kit Installed - IRC	Model	Weight	Qty
	TIBK72TKA	13	20
	TIBK78TKA	16	24
	TIBK84TKA	18	28
Cutter Tooth Individual - IRC	Model	Weight	
	TIRCRT	1	

Tree Boom

TTRBM



Rigging Plates
Two 1/2" steel plates at the top of the boom with holes allow multiple rigging options.

Reinforced Pole
Three large gusset plates and two plates at the base add reinforcement.

Flat Front Frame
Prevents damage to trees during transport

Rigging Holes
1.1" diameter holes on each side of the frame to tie down and secure loads.

MODEL SPECS	TTRBM
Overall Height	65.5"
Pole Height, From Top of Quick Tach	46.5"
Overall Width	45.9"
Pin Hole Diameter	1.1"
Hole Location From Frame Front	11.8"
Approximate Weight	330 lb
Recommended Loader Capacity	Greater than 1,300 pounds

Adds 46 1/2" of Height | **Multiple Rigging Options**
From Top of Quick Tach

Greater Than 1,300 lb
Recommended Loader Capacity



Page intentionally left blank,
More images coming soon.

Tiller

TLR72



72"
Available Width

15 - 25 GPM
Recommended Flow Rate

Greater Than **1,300 lb**
Recommended Loader Capacity

Tiller Tine Kit

MODEL SPECS	Qty	Weight
TTLRTK72	36	72 lb

- Heat treated, dual-edge tiller tines.
- Includes all required hardware.
- For Takeuchi Tiller only.



Tiller

- Direct drive Eaton® motor reduces down-time, no chains or belts.
- USA Made Eaton® motor hydraulic pressure relief protection ensures optimum performance and longevity. Allows forward and reverse operations.
- Tiller shaft supported on both ends by 2" diameter bearings, minimizing weight supported by motor.
- Offset to cover tire tracks and allows the operator to till next to buildings, sidewalks, etc.



MODEL SPECS	TDZR84
Working Width	72"
Overall Width	88.5"
Loader Width Coverage, Outside Tire	80"
Overall Height	28"
Overall Depth	32"
Tilling Depth	6"
Working Offset	4.0**
Recommended Flow Rate	15-25 GPM
Drum Diameter	22"
Number of Tines	36
Approximate Weight	1,050 lb
Recommended Loader Capacity	Greater than 1,300 lb

**Distance between the center of the quick-tach plate and center of the working width.

Root Rake Grapple

TRRG72 - TRRG78 - TRRG84

53.7"
Jaw Opening

29.7"
Bucket Depth

Greater Than **2,400 lb**
Recommended Loader Capacity



Single Jaw Design

Back-drag to rake brush and material into piles for easy hauling.

Rigid Hard Stops

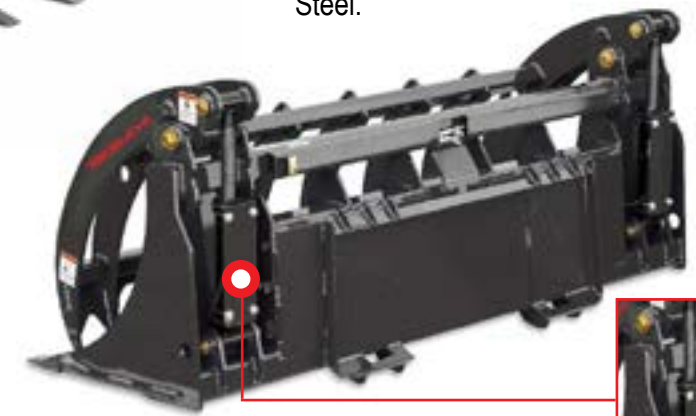
For fully open and closed positions preventing excess stress to the cylinders.

High Strength Steel

Bucket tines made from 1/2" Grade 80 Steel.



Replaceable, Series 23 cast teeth



Standard Cylinder Guards

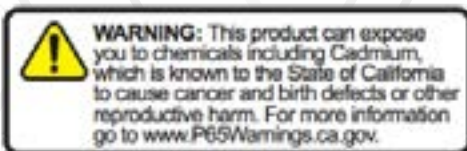
MODEL SPECS	TRRG72	TRRG78	TRRG84
Overall Width	74.5"	80.5"	86.5"
Height: Overall / Bucket	38.3" / 29.7"	38.3" / 29.7"	38.3" / 29.7"
Overall Depth	31.6"	31.6"	31.6"
Number of Teeth	7	7	8
Space Between Teeth	9.8"	10.8"	9.8"
Space Between Tines, Grapple Jaw	10.5"	11.7"	10.7"
Tine Thickness	*0.5"	*0.5"	*0.5"
Cylinder Bore / Stroke	2.5" / 8.375"	2.5" / 8.375"	2.5" / 8.375"
Cylinder Pins / Inge Pins Diameter	1.25" / 1.563"	1.25" / 1.563"	1.25" / 1.563"
Grapple Jaw Opening	53.7"	53.7"	53.7"
Approximate Weight	1,175 lb	1,230 lb	1,315 lb
Recommend Loader Capacity	Greater than 2,400 lb		

*Material is Grade 80 Plate (80,000 PSI Minimum Yield Strength).

TAKEUCHI

Attachment Catalog Land Management

PROPOSITION 65



US Headquarters

Pendergrass, Georgia

706.693.3600

Info@takeuchi-us.com

takeuchi-us.com

© 2021 Takeuchi Manufacturing [U.S.], Ltd. All Rights Reserved. Printed in the U.S.A. In accordance with our established policy of continued improvement, specifications and features are subject to change without notice. Pictures may show optional equipment.

FORM: Attachment Catalog, Land Management Apr. 2021