

COMPACT TRACK LOADER

**Takeuchi**

*From World First to World Leader*

# TL8R2



# Product Features & Specifications

## ENGINE

- EPA Final Tier IV Emission Compliant
- Turbocharged
- High Pressure Common Rail Fuel Injection System
- DOC+DPF Exhaust After Treatment
- Automatic Fuel Priming System
- Active Power Control, Power Management System
- Working Modes - Standard and ECO Mode
- Dual Element Air Cleaner
- Hand and Foot Throttle Control
- High Capacity Radiator and Hydraulic Oil Cooler Mounted Side-by-Side on Swing Out Frame

## ELECTRICAL

- 5.7" Multi-Informational Color Display
- Sealed Rocker Switches
- 12 volt System with 60 amp Alternator
- LED Work Lights: Two Front and Two Rear
- Heavy Duty, Easy Access Battery
- Engine Preheat System
- Hour Meter
- Back-up Alarm
- Horn
- Takeuchi Fleet Management - Telematics System

## UNDERCARRIAGE AND FRAME

- Double Reduction Planetary Drives
- Permanently Sealed Track Rollers with Metal Face Seals
- Fully Welded Frame with Integrated Cross Members
- Two-Speed Travel
- 15.7" Rubber Track
- Grease Type Track Adjuster
- Front and Rear Tie-Down Points
- Rear Bumper Integrated into Frame
- Creep Mode and Two-Speed Travel with Automatic Shift (optional - HF Only)

## OPERATOR'S STATION

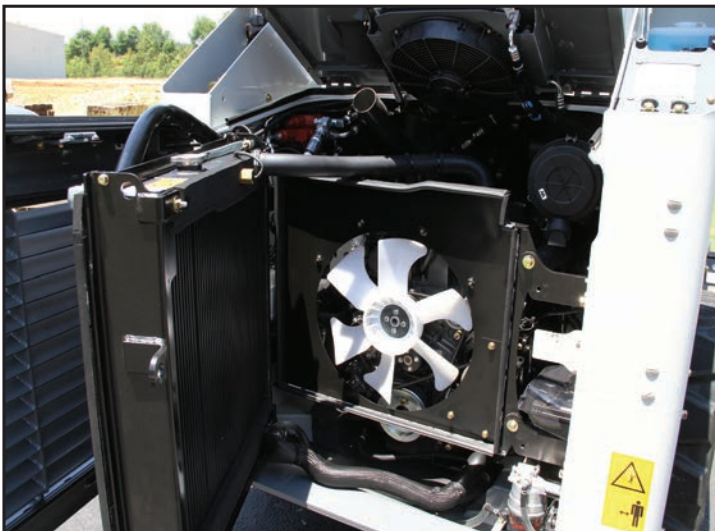
- Tilt-up Operator's Station
- Deluxe High Back Suspension Seat
- Rear View Camera
- Rear Pivoting Lap Bar with Arm Rest
- ROPS / FOPS Level 1 Structure
- Retractable 2" Seat Belt
- Pressurized Cab with Roll-up Door, A/C, Heat, Defrost and Front Wiper, and AM / FM / MP3 Radio with NOAA Weatherband (Cab Only)
- Retractable 3" Seat Belt (optional)
- 3 Point Retractable Seat Belt (optional)
- Polycarbonate Door (High Flow Only)
- FOPS Level II Roof Guard Kit (optional)

## HYDRAULIC & WORKING EQUIPMENT

- Radial Lift Design
- Hydraulic Pilot Controls
- Arm Float
- Cushioned Arm Cylinders
- Hydraulic Self Leveling System (Lift Only)
- Proportional Auxiliary Hydraulic Controls with Detent
- Pressure Relieving Flat Faced Coupler Body
- 14-Pin Connector with Push Button Control
- High Capacity Steel Hydraulic Tank
- Mechanical Quick Hitch
- Hydraulic Quick Coupler
  - Cab - Standard Equipment
  - Canopy - Field Kit Available
- High Flow Auxiliary Hydraulics 33.8 gpm (optional)
- Manual Parking Brake (optional)

## TAKEUCHI FLEET MANAGEMENT

- 2 Year Standard Service
- Minimize Downtime
- Remote Diagnostics
- Utilization Tracking
- Proactive Maintenance
- Control Costs



Convenient Service and Maintenance Access



Greater Bucket Breakout and Lift Arm Forces

# TOUGH, RUGGED, EFFICIENT



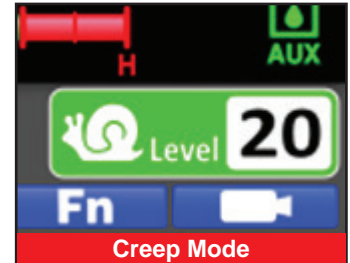
Pilot Operated Controls



Battery Access Panel



Lower Cross Member & Step



Creep Mode

The completely redesigned TL8R2 is powerful and efficient and engineered to provide excellent performance, durability, and value. Standard features include two-speed travel, pilot operated joystick controls, a large color multi-informational display, and quiet ride track system. The TL8R2 has a spacious cabin with an automotive styled interior that includes a deluxe high back suspension seat, electronic throttle control, rocker switches for a wide variety of machine functions, 12 volt outlet, and cup holder.

A heavy duty rear door protects vital engine components and swings out to provide access to the high capacity, side-by-side cooling module with coolant sight glass, engine oil filter, engine oil fill and dipstick, fuel/water separator, and dual element air cleaner.

The left rear tower contains the hydraulic tank and filter, and the right rear tower contains the wiper fluid reservoir (cab models) and battery. With the cabin tilted up the primary and secondary fuel filters, DPF, pilot filter, pump group, and control valve can be inspected and serviced as needed.

Creep mode is a standard feature on the TL8R2 models equipped with high flow auxiliary hydraulics. This feature will enable operators to precisely match the forward speed of the track loader to a particular attachment without having to constantly meter the travel lever. Creep mode is ideal for attachments that require a consistent, repeatable travel speed, such as a cold planer and trencher.



Spacious operator's platform with easy to reach controls and switches.

## OPERATING PERFORMANCE

Operating Weight - Canopy	8,807 lb	(3,995 kg)
Cab	9,182 lb	(4,165 kg)
Tipping Load	6,041 lb	(2,740 kg)
Rated Operating Capacity, SAE J818*	2,116 lb	(960 kg)
Operating Load at 50% of Tipping Load	3,020 lb	(1,370 kg)
Bucket Breakout Force	6,204 lb	(2,814 kg)
Lift Arm Breakout Force	5,957 lb	(2,702 kg)
Traction Force	9,733 lb	(4,415 kg)
Ground Pressure - Canopy	4.5 psi	(31.0 kPa)
Ground Pressure - Cab	4.6 psi	(32.0 kPa)
Travel speed -		
Low Range	4.7 mph	(7.5 km/hr)
High Range	7.0 mph	(11.2 km/hr)
Creep Mode Speed - (High Flow Only)		
Low Range	.09 mph	(0.15 km/hr)
High Range	3.1 mph	(5.0 km/hr)

\* Operating capacity of compact track loaders is rated according to SAE J818 at no more than 35% of the tipping load

## HYDRAULIC SYSTEM

Auxiliary Flow - Primary Circuit	19.1 gpm	(72.3 Lpm)
Auxiliary Flow - High Flow (optional)	33.8 gpm	(128.0 Lpm)
Hydraulic System Pressure	3,045 psi	(21.0 MPa)

## ENGINE

Make / Model	Kubota V3307-CR-TE5B	
Engine Displacement	203.2 cu in	(3331 ml)
Horsepower @ 2,600 rpm	74.3 hp	(54.6 kW)
Maximum Torque @ 1,500 rpm	192.6 ft-lb	(261.1 Nm)

## FLUID CAPACITIES

Engine Lubrication	11.8 qt	(11.2 L)
Cooling System	15.9 qt	(15.0 L)
Fuel Tank Capacity	28.3 gal	(107.0 L)
Fuel Consumption (65% of Full Load)	2.8 gal/hr	(10.6 L/hr)
Hydraulic Reservoir Capacity	9.6 gal	(36.5 L)
Hydraulic System Capacity	15.9 gal	(60 .0 L)



LCD Display



Rear View Camera



LED Work Lights



Hydraulic Lock

## ATTACHMENTS

Takeuchi now offers attachments for all of your Takeuchi equipment. See your authorized Takeuchi dealer for additional information and attachment options.



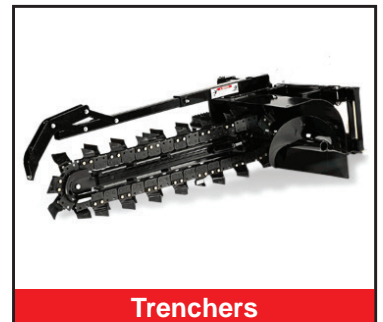
Grapple - Scrap



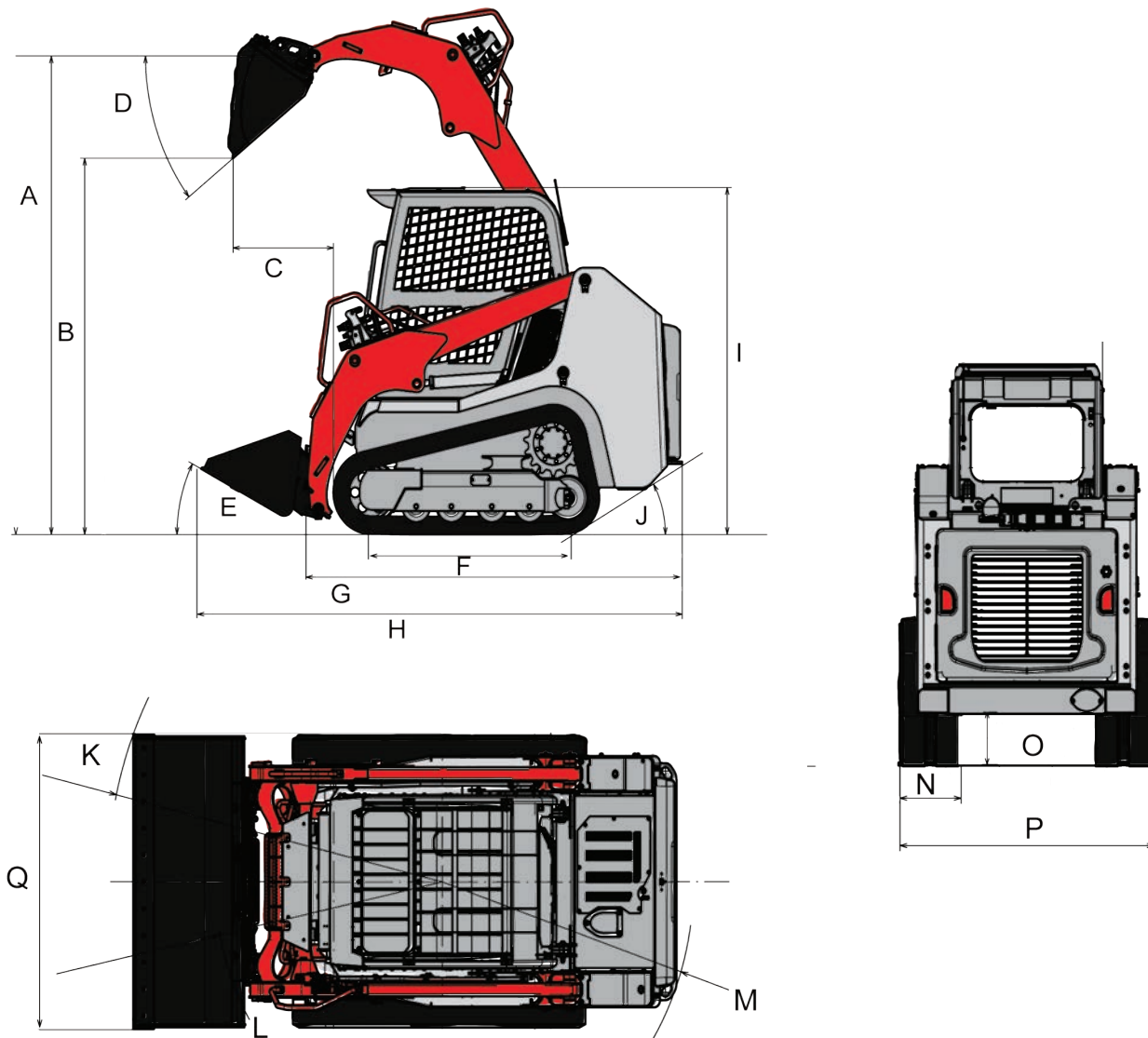
Dozer Blades



Pallet Forks



Trenchers



## MACHINE DIMENSIONS

A	Maximum Lift Height to Bucket Pin	10 ft 1.2 in	(3,080 mm)
B	Dump Height Fully Raised	7 ft 11.3 in	(2,420 mm)
C	Dump Reach Fully Raised	2 ft 4.3 in	(720 mm)
D	Dump Angle		38°
E	Rollback Angle		28°
F	Track Ground Contact Length	4 ft 7.9 in	(1,420 mm)
G	Machine Length	9 ft 1.8 in	(2,790 mm)
H	Transport Length	11 ft 5.2 in	(3,485 mm)
I	Transport Height	7 ft 3.8 in	(2,230 mm)
I'	Transport Height with Top Guard	7 ft 6.1 in	(2,290 mm)
J	Departure Angle		30°
K	Clearance Circle with Bucket	7 ft 2.3 in	(2,190 mm)
L	Clearance Circle without Bucket	4 ft 10.4 in	(1,485 mm)
M	Clearance Circle Rear	5 ft 4.8 in	(1,645 mm)
N	Track Width	15.7 in	(400 mm)
O	Ground Clearance	11.4 in	(290 mm)
P	Overall Width without Bucket	5 ft 5.4 in	(1,660 mm)
Q	Bucket Width	5 ft 6.0 in	(1675 mm)



**2 YEAR**  
**2,000 HOUR**  
**FULL MACHINE**  
**WARRANTY**



© 2020 Takeuchi Manufacturing (U.S.), Ltd. All Rights Reserved. Printed in the U.S.A. In accordance with our established policy of continued improvement, specifications and features are subject to change without notice. Pictures may show options other than standard equipment.

FORM: TL8R2 Compact Track Loader Spec Sheet April 2020

**TAKEUCHI**  
*From World First to World Leader*