

Compact Wheel Loader

takeuchi
From World First to World Leader

TW60 SERIES 2



Product Features & Specifications

ENGINE

- EPA Tier 4 Compliant
- DOC/DPF Exhaust After Treatment
- Turbocharged
- Water Cooled
- Extended Life Coolant
- Dual Element Air Cleaner with Restriction
- Heavy Duty Radiator and Hydraulic Oil Coolers

OPERATOR'S STATION

- Enclosed Cab with A/C, Heat, Front and Rear Wipers, Front and Rear Washer, and Rear Window Defrost
- Deluxe Lighting Package for Work, Driving and Signal Lights
- Elevated Operator's Station
- ROPS/FOPS Level 1 Protection
- Multi-Function Joystick for Machine Direction Fwd / Rev and Loader Controls: Raise, Lower, Curl, and Dump
- Suspension Seat
- Large Steps and Grab Handles

DRIVE TRAIN

- Hydrostatic Drive with 100% Inching Pedal
- 100% Locking Differentials: Front and Rear
- Outboard Planetary Drives
- Two-Speed Travel
- Spring Applied Parking Brake
- Multi-Wet Disc Brake
- High Speed Travel 17.4 mph (28.0 km/h) (optional)
- 15 - 19.5 Heavy Duty Construction Tire Assembly (optional)

ELECTRICAL

- Electronic Engine Monitoring System Includes High Beam Indicator, Turn Signal Indicators, High Speed Indicator, Directional Lights Fwd / Rev
- 12 volt System with 55 amp Alternator
- Work Lights Front and Rear
- Driving Lights and Turn Signals
- Engine Preheat
- Back-up Alarm

HYDRAULIC & WORKING EQUIPMENT

- Priority Steering
- Auxiliary Hydraulic Lines Plumbed to the End of the Loader Arms
- Auxiliary Hydraulic Detent
- Hydraulic System Test Ports
- Hydraulic Oil Level Sight Gauge
- Loader Arm Float
- Heavy Duty Hydraulic SSL Style Quick Attach Coupler
- Z-Bar Linkage
- Bucket Float Function
- Heavy Duty Self Aligning Loader Bushings with Oversized Pins
- 76.5" High Capacity Bucket (1.19 yd³) (optional)
- Bolt-on Reversible Cutting Edge for Bucket (optional)
- Flat Face Hydraulic Coupler Kit with case drain and pressure release knob



Spacious Cabin



Automotive Styled Interior

TOUGH, POWERFUL, RELIABLE



Construction Tires



Joystick Controls



Hyd. Quick Connect



Monitor Display

Compact and powerful the TW60 Series 2 wheel loader features a dedicated universal skid steer coupler that enables it to utilize a wide range of attachments for greater versatility and performance. Enhancing the convenience of the universal skid steer coupler is a standard pressure relieving coupler block located on the loader arms. The coupler block simplifies attachment exchanges by allowing the operator to quickly and easily relieve residual pressure in the auxiliary lines. The Z-Bar linkage delivers excellent breakout forces, lifting capabilities,

dump height, and reach allowing it to perform well in a wide range of applications. The operator's station features an automotive style interior, deluxe seat, standard HVAC system, and a multi-function joystick that controls directional changes (F-N-R), loader controls, and thumb wheel to control auxiliary hydraulics or the universal skid steer coupler. Serviceability is easy to perform with the large engine hood that opens overhead allowing quick access to key daily inspection points.



OPERATING PERFORMANCE

| | | |
|-------------------------------|-----------------|-------------------|
| Operating Weight - Cab | 10,692 lb | (4,850 kg) |
| Tipping Load, Straight | 6,689 lb | (3,034 kg) |
| Tipping Load, Full Turn | 5,906 lb | (2,679 kg) |
| Operating Capacity, SAE J818* | 2,953 lb | (1,340 kg) |
| Bucket Breakout Force | 6,294 lb | (2,855 kg) |
| Lift Arm Breakout Force | 6,002 lb | (2,722 kg) |
| Traction Force | 8,818 lb | (4,000 kg) |
| Travel Speed - Low Range | 4.0 mph | (6.5 km/hr) |
| High Range | 12.4 mph | (20.0 km/hr) |
| Optional High Speed Travel | 17.4 mph | (28.0 km/hr) |
| Bucket Capacity 76" | 1.19 cu yard | (1.0 cu meter) |

* Rate Operating Capacity (ROC) for wheel loaders is rated with a bucket according to SAE J818 at no more than 50% of the full turn tipping load.

HYDRAULIC SYSTEM

| | | |
|--------------------------------|-----------|------------|
| Auxiliary Flow - Standard Flow | 15.2 gpm | (57.5 Lpm) |
| System Operating Pressure | 3,408 psi | (23.5 MPa) |

ENGINE

| | | |
|----------------------------|----------------------|------------|
| Make/Model | Yanmar 4TNV86CHT-MAW | |
| Engine Displacement | 128.0 cu in | (2.1 L) |
| Horsepower @ 2,300 rpm | 61.2 hp | (45.6 kW) |
| Maximum Torque @ 1,800 rpm | 146.0 ft-lb | (198.0 Nm) |

FLUID CAPACITIES

| | | |
|-------------------------------------|------------|-------------|
| Engine Lubrications | 7.8 qt | (7.4 L) |
| Cooling System | 8.9 qt | (8.5 L) |
| Fuel Tank Capacity | 16.2 gal | (61.5 L) |
| Fuel Consumption (65% of Full Load) | 3.4 gal/hr | (12.8 L/hr) |
| Hydraulic Reservoir Capacity | 10.83 gal | (41.0 L) |
| Front Axle Lubrication | 4.9 qt | (4.6 L) |
| Rear Axle Lubrication | 4.6 qt | (4.4 L) |



Z-Bar Linkage



ROPS / FOPS Level 1

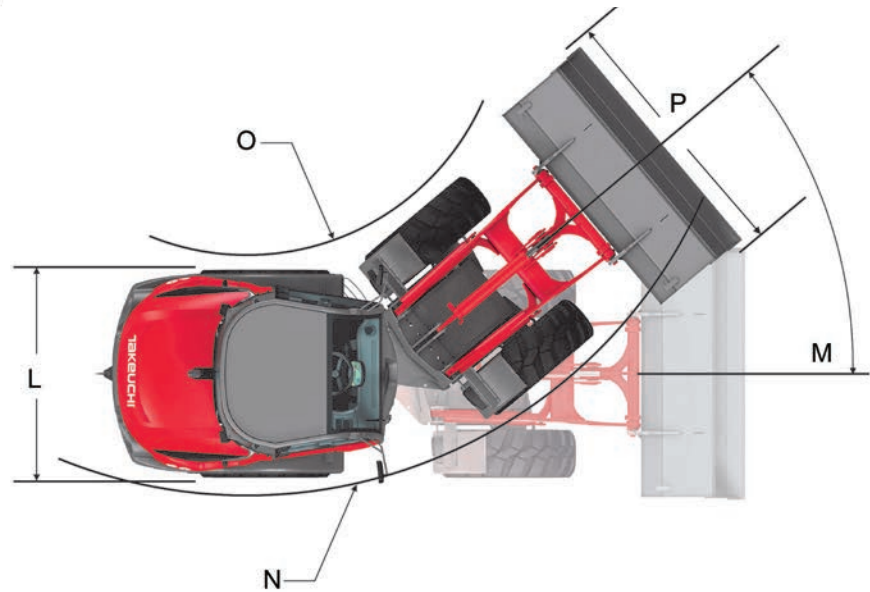
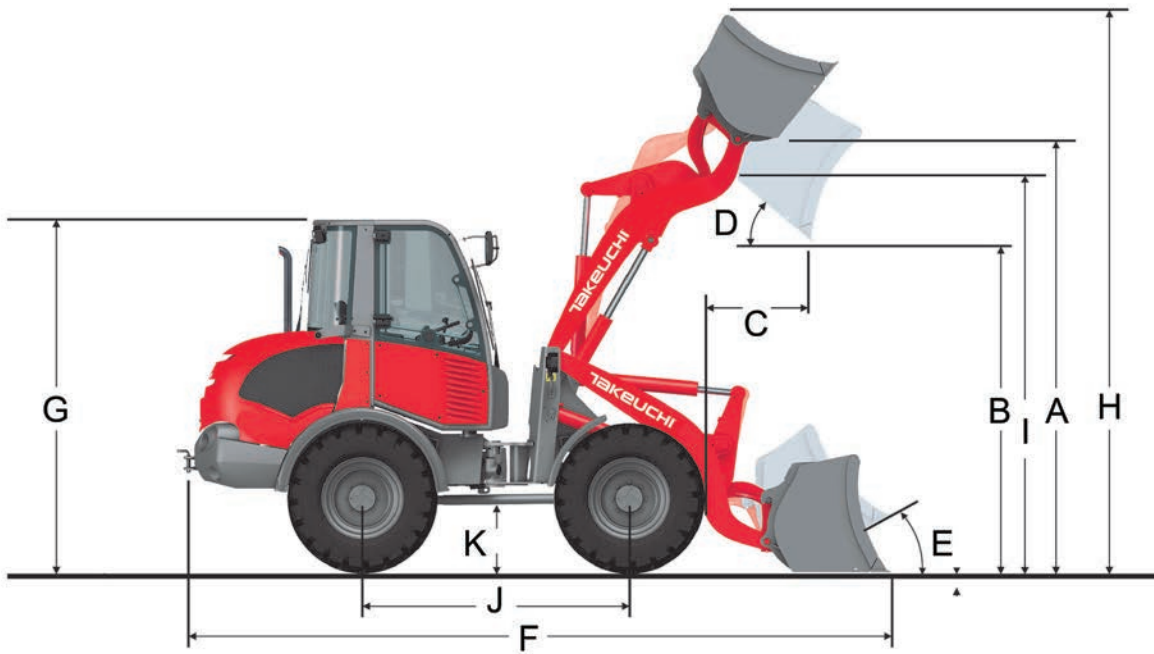


Road Lighting Package



Hydraulic Quick Coupler

TW60 Series 2 Wheel Loader



MACHINE DIMENSIONS

| | | | |
|---|--------------------------------|--------------|------------|
| A | Max. Lift Height to Bucket Pin | 10 ft 9.7 in | (3,294 mm) |
| B | Dump Height Fully Raised | 7 ft 5.0 in | (2,263 mm) |
| C | Max. Reach Fully Raised | 2 ft 2.4 in | (670 mm) |
| D | Dump Angle | 46° | |
| E | Rollback Angle | 43° | |
| F | Overall Length with Bucket | 17 ft 7.1 in | (5,360 mm) |
| G | Overall Height | 8 ft 6.4 in | (2,599 mm) |
| H | Overall Operating Height | 12 ft 4.3 in | (3,766 mm) |
| I | Bucket Clearance Height | 9 ft 8.7 in | (2,964 mm) |
| J | Wheel Base | 6 ft 6.7 in | (2,000 mm) |
| K | Ground Clearance | 20.5 in | (520 mm) |
| L | Overall Width without Bucket | 6 ft 3.0 in | (1,905 mm) |
| M | Outside Turning Radius | 12 ft 1.3 in | (3,690 mm) |
| N | Inside Turning Radius | 6 ft 5.3 in | (1,840 mm) |
| O | Recommended Bucket Width | 76.5 in | (1,943 mm) |



2 YEAR
2,000 HOUR
FULL MACHINE
WARRANTY

© 2019 Takeuchi Manufacturing (U.S.), Ltd. All Rights Reserved. Printed in the U.S.A. In accordance with our established policy of continued improvement, specifications and features are subject to change without notice. Pictures may show options other than standard equipment.
FORM: TW60 Series 2 Wheel Loader Spec Sheet - Dec. 2019

TAKEUCHI
From World First to World Leader