

Compact Wheel Loader

TAKEUCHI
From World First to World Leader

TW95



Product Features & Specifications

ENGINE

- EPA Final Tier 4 Compliant w/ DOC / SCR
- Turbocharged
- Water Cooled
- Dual Element Air Cleaner with Restriction Indicator
- High Capacity Radiator

ELECTRICAL

- Electronic Engine Monitoring System
- 12 volt System with 95 amp Alternator
- Work Lights: Front and Rear
- Driving Lights and Turn Signals
- Directional Lights Fwd / Rev
- Engine Preheat
- Back-up Alarm

DRIVE TRAIN

- Hydrostatic Drive with 100% Inching Pedal
- 100% Locking Differentials, Front and Rear
- Outboard Planetary Drives
- Two-Speed Travel
- Spring Applied Parking Brake
- Multi Wet Disc Brake
- High Speed Road Gear w/ Ride Control (24.9 mph)
- Heavy Duty Radial Tire Assembly (optional)

OPERATOR'S STATION

- Enclosed Cab Equipped with Air Conditioner, Heat, Front and Rear Window Defrost
- ROPS / FOPS Protection
- 2" Retractable Seat Belt
- Deluxe Air Suspension Seat with Heat
- Large Steps and Grab Handles
- Elevated Operator's Station
- Multi-Function Joystick for Machine Direction Fwd / Rev, Proportional Thumb Wheel and Loader Controls
- 3" Retractable Seat Belt (optional)

HYDRAULIC & WORKING EQUIPMENT

- Precise and Responsive Pilot Controls
- Proportional Thumb Wheel Located in Loader Joystick for Auxiliary Hydraulic Circuit
- Auxiliary Hydraulic Lines Plumbed to the End of the Loader Arms
- Auxiliary Hydraulic Detent
- Hydraulic Oil Level Sight Gauge
- High Capacity Hydraulic Oil Cooler
- Auxiliary Hydraulics (26.4 gpm)
- Z-Bar Linkage
- Bucket Float Function
- Mechanical Bucket Positioning
- Heavy Duty Hydraulic Bucket Quick Coupler
- Heavy Duty Self Aligning Loader Bushings with Oversized Pins
- 95" GP Bucket (2.00 yd³) (optional)
- 95" Light Duty Bucket w/ BOE (2.75 yd³)
- 95" Light Duty Bucket (8 Tooth) (2.62 yd³) (optional)
- HD 48" Pallet Forks and Frame (optional)



Operator's Station



Deluxe Air Suspension Seat with Heat

TOUGH, POWERFUL, RELIABLE



Heavy Duty Radial Tires



Joystick Control



Outstanding Visibility



Monitor Display

Powerful and efficient, the Takeuchi TW95 delivers exceptional performance, comfort, and serviceability. It is an ideal loader for a wide range of applications including load and carry, snow removal, and feedlots. The cabin is spacious and features a deluxe high-back air ride seat with heat and armrest, single lever joystick control for all loader functions, a proportional thumb wheel for auxiliary hydraulic functions, and rocker switches to control a wide range of machine

functions. A standard hydraulic quick coupler makes changing attachments quick and efficient. The hydrostatic drive is responsive and delivers excellent power for loading applications, and it also provides dynamic braking, slowing the loader as the operator backs off the throttle. 100% locking differentials can be engaged at low speeds to provide maximum tractive effort in the most demanding conditions.



Large Lockable Rear Service Hood Provides Outstanding Service and Maintenance Access

OPERATING PERFORMANCE

Operating Weight - Cab	18,188 lb	(8,250 kg)
Tipping Load, Straight	14,307 lb	(6,490 kg)
Tipping Load, Full Turn	12,652 lb	(5,739 kg)
Operating Capacity, SAE J818*	6,326 lb	(2,870 kg)
Bucket Breakout Force	15,873 lb	(7,200 kg)
Lift Arm Breakout Force	18,077 lb	(8,200 kg)
Traction Force	13,592 lb	(6,165 kg)
Travel Speed - Low Range	4.0 mph	(6.5 km/hr)
High Range	12.4 mph	(20.0 km/hr)
Optional High Speed Travel	24.9 mph	(40.0 km/hr)
Bucket Capacity 95"	2.00 cu yard	(1.53 cu meter)

* Rate Operating Capacity (ROC) for wheel loaders is rated with a bucket according to SAE J818 at no more than 50% of the full turn tipping load.

HYDRAULIC SYSTEM

Auxiliary Flow - Standard Flow	26.4 gpm	(100.0 Lpm)
System Operating Pressure	3,336 psi	(23.0 MPa)

ENGINE

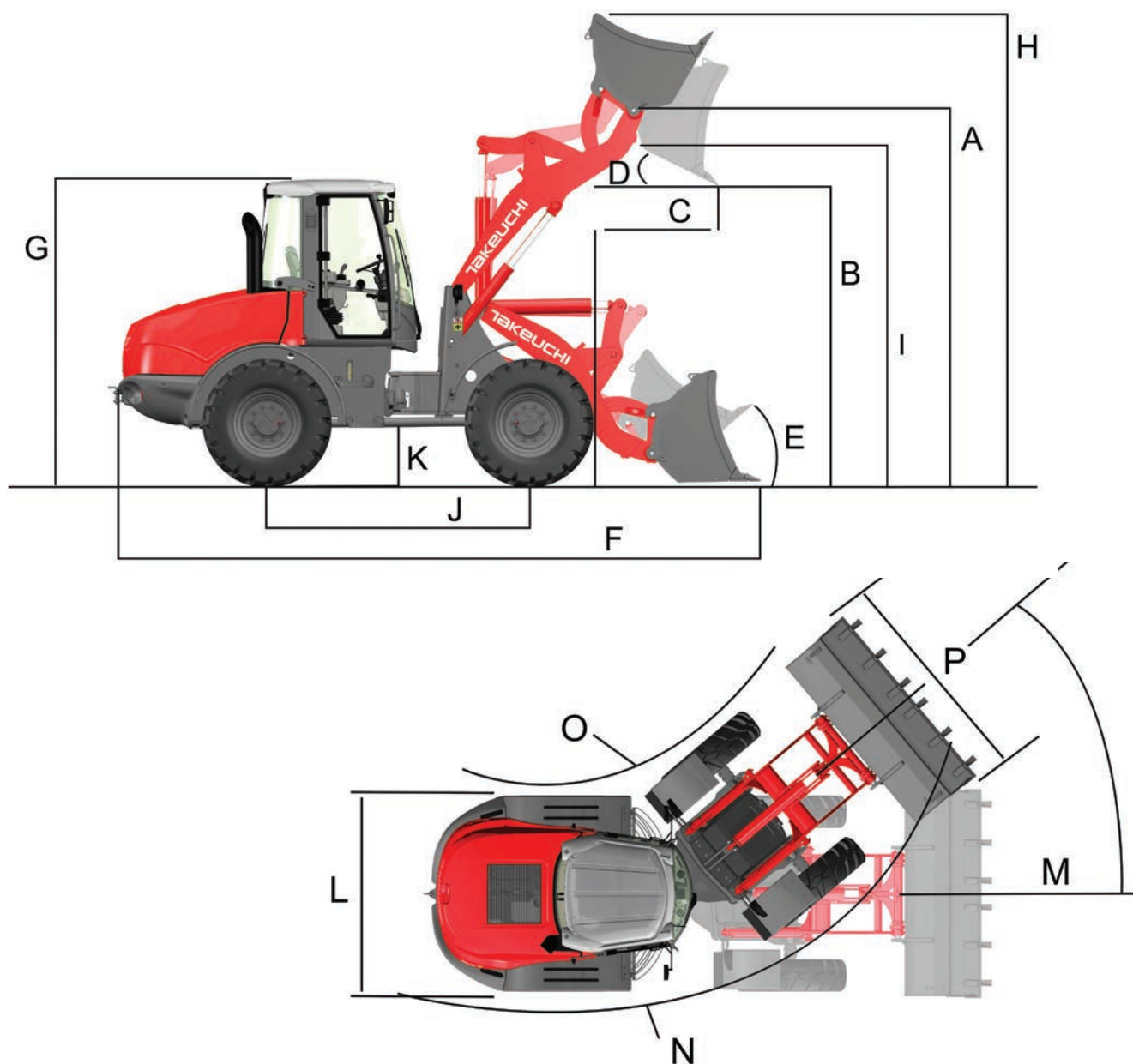
Make/Model	Deutz / TD 3.6 L4	
Emission Standard	EPA Final Tier 4	
Engine Displacement	176.0 cu in	(3.6 L)
Horsepower @ 2,200 rpm	114.0 hp	(85.0 kW)
Maximum Torque @ 1,600 rpm	339.9 ft-lb	(460.0 Nm)

FLUID CAPACITIES

Engine Lubrications	9.5 qt	(8.0 L)
Cooling System	22.2 qt	(21.0 L)
Fuel Tank Capacity	31.7 gal	(120.0 L)
Fuel Consumption (65% of Full Load)	6.5 gal/hr	(24.6 L/hr)
Hydraulic Reservoir Capacity	28.0 gal	(106.0 L)
Front Axle Lubrication	7.6 qt	(7.2 L)
Rear Axle Lubrication	7.6 qt	(7.2 L)



TW95 Wheel Loader



MACHINE DIMENSIONS

A	Max. Lift Height to Bucket Pin	11 ft 1.0 in	(4,220 mm)
B	Dump Height Fully Raised	8 ft 6.0 in	(2,605 mm)
C	Max. Reach Fully Raised	2 ft 8.2 in	(820 mm)
D	Dump Angle	45°	
E	Rollback Angle	48°	
F	Overall Length with Bucket	20 ft 5.2 in	(6,230 mm)
G	Overall Height	9 ft 7.4 in	(2,932 mm)
H	Overall Operating Height	13 ft 10.0 in	(4,220 mm)
I	Bucket Clearance Height	9 ft 11.0 in	(3,025 mm)
J	Wheel Base	8 ft 2.4 in	(2,500 mm)
K	Ground Clearance	1 ft 9.2 in	(540 mm)
L	Overall Width without Bucket	7 ft 1.8 in	(2,180 mm)
M	Outside Turning Radius	15 ft 1.4 in	(4,610 mm)
N	Inside Turning Radius	7 ft 10.0 in	(2,385 mm)
O	Recommended Bucket Width	95 in	(2,413 mm)



2 YEAR
2,000 HOUR
FULL MACHINE
WARRANTY

© 2018 Takeuchi Manufacturing (U.S.), Ltd. All Rights Reserved. Printed in the U.S.A. In accordance with our established policy of continued improvement, specifications and features are subject to change without notice. Pictures may show options other than standard equipment.
FORM: TW95 Wheel Loader Spec Sheet - Dec. 2018

TAKEUCHI
From World First to World Leader