

TB235-2



Product Specifications

OPERATING PERFORMANCE

Operating Weight - Canopy	7,251 lb	(3,289 kg)
Operating Weight - Cab	7,513 lb	(3,408 kg)
Maximum Bucket Breakout Force	6,092 lb	(2,763 kg)
Maximum Arm Digging Force	3,889 lb	(1,764 kg)
Arm Length	4 ft 9.0 in	(1,445 mm)
Slew Speed	9.3 rpm	
Traction Force	9,112 lb	(4,130 kg)
Ground Pressure - Canopy	4.4 psi	(30.4 kPa)
Ground Pressure - Cab	4.6 psi	(31.5 kPa)
Max Travel Speed		
Low Range	1.7 mph	(2.8 km/h)
High Range	2.8 mph	(4.5 km/h)

HYDRAULIC SYSTEM

Total Hydraulic Flow	28.6 gpm	(108.4 Lpm)
Auxiliary Flow - Primary Circuit	15.8 gpm	(60.0 Lpm)
Hydraulic System Pressure	3,553 psi	(24.5 MPa)

ENGINE

Make / Model	Yanmar / 3TNV88F
Displacement	81.0 cu in (1.3 L)
Horsepower @ 2,400 rpm	24.4 hp (18.2 kW)
Maximum Torque @ 1,440 rpm	68 ft-lb (92.2 Nm)

FLUID CAPACITIES

Engine Lubrication	4.4 qt (4.7 L)
Cooling System	4.2 qt (4.0 L)
Fuel Tank Capacity	13.2 gal (50.0 L)
Hydraulic Reservoir Capacity	9.2 gal (35.0 L)
Hydraulic System Capacity	14.8 gal (56.0 L)



Takeuchi Fleet Management

- 2 Year Standard Service
- Utilization Tracking
- Minimize Downtime
- Proactive Maintenance
- Remote Diagnostics
- Control Costs

TB235-2 Compact Excavator

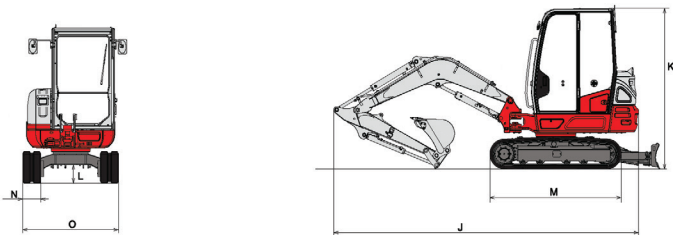
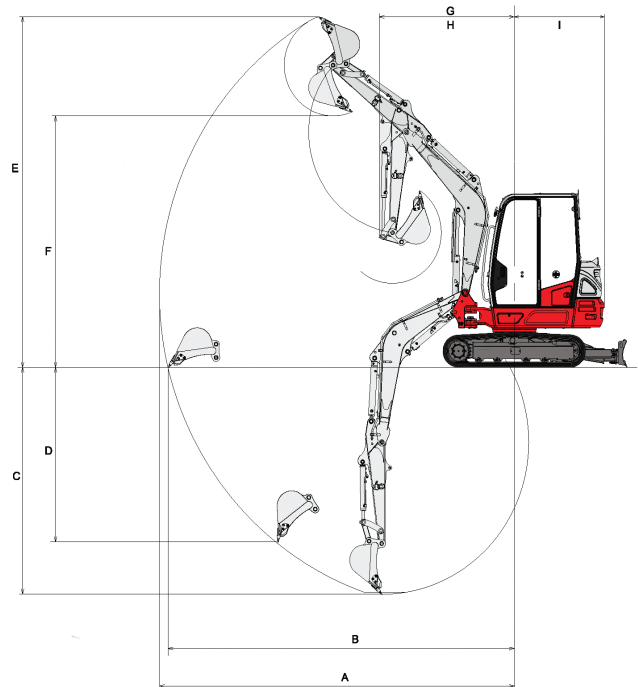
Machine Features

- | | | |
|--|--|--|
| <p>ENGINE</p> <ul style="list-style-type: none"> - U.S. EPA Final Tier 4 - Automatic Fuel Bleed System - Dual Element Air Filter - Automatic Idle <p>ELECTRICAL</p> <ul style="list-style-type: none"> - LCD Informational Display (Canopy) - 5.7" Multi-Informational Display (Cab) - Sealed Rocker Switches - 12 volt System with 55 amp Alternator - Halogen Work Lights: Two Forward Facing - Engine Preheat - Hour Meter - Travel Alarm - Horn | <p>UNDERCARRIAGE AND FRAME</p> <ul style="list-style-type: none"> - Triple Flange Track Rollers - 2-Speed Travel with Automatic Shift - Sloped Frame with Open Centers - Heavy Duty Dozer Blade with Float - Large Wrap Around Counterweight - 11.8" Rubber Tracks <p>OPERATOR'S STATION</p> <ul style="list-style-type: none"> - ROPS / TOPS / OPG Four Post Canopy - Deluxe High Back Suspension Seat - Adjustable Arm Rests - 2" Retractable Seat Belt - 3" Retractable Seat Belt (optional) - Cab with A/C, Heat, Defrost, Windshield Wiper and Washer, Skylight w/ Sunshade, AM / FM / MP3 Radio, 12v Power Outlet (optional) | <p>HYDRAULIC & WORKING EQUIPMENT</p> <ul style="list-style-type: none"> - Cushioned Boom and Swing Cylinders - Hydraulic Pilot Controls - Proportional Auxiliary Controls with Detent - Auxiliary Flow Adjustable from Operator's Seat - Hydraulic Reservoir with Fluid Level Sight Gauge - Primary Auxiliary Hydraulic Circuit Plumbed to Arm - Multiple Attachment Presets - Flow Selector Valve, Primary Auxiliary Circuit - Pattern Change Valve (ISO or SAE) - Pilot Accumulator - Main Boom Cylinder Guard |
|--|--|--|

Machine Dimensions

MACHINE DIMENSIONS

A Maximum Reach	17 ft 3.0 in	(5,256 mm)
B Maximum Reach at Ground Level	16 ft 10.0 in	(5,130 mm)
C Maximum Digging Depth	10 ft 7.7 in	(3,243 mm)
D Maximum Vertical Digging Depth	8 ft 2.2 in	(2,494 mm)
E Maximum Dig Height	16 ft 5.3 in	(5,011 mm)
F Maximum Dumping Height	11 ft 9.5 in	(3,595 mm)
G Front Swing Radius	6 ft 7.0 in	(2,006 mm)
H Front Swing Radius with Boom Offset	5 ft 5.5 in	(1,663 mm)
I Tail Swing (Slew) Radius	4 ft 4.4 in	(1,330 mm)
J Transport Length	16 ft 0.9 in	(4,899 mm)
K Transport Height	8 ft 2.8 in	(2,509 mm)
L Ground Clearance	11.6 in	(294 mm)
M Undercarriage Length	6 ft 11.1 in	(2,110 mm)
N Track Width (Rubber)	11.8 in	(300 mm)
O Undercarriage Width	5 ft 2.2 in	(1,580 mm)



© 2017 Takeuchi Manufacturing (U.S.), Ltd. All Rights Reserved. Printed in the U.S.A. In accordance with our established policy of continued improvement, specifications and features are subject to change without notice. Pictures may show options other than standard equipment.

FORM: TB235-2 Compact Excavator Spec Sheet Aug 2017

TAKEUCHI
From World First to World Leader