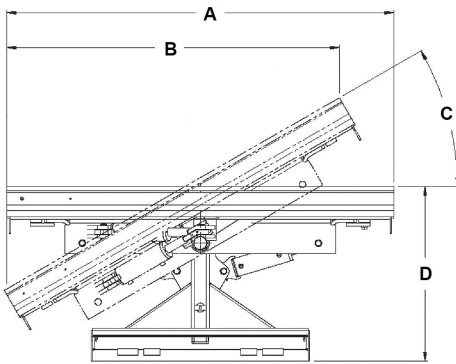




6-Way Dozer Blade

- Available in 84" and 96"
- Reversible 3/4" x 8" bolt-on cutting edge
- 14-Pin attachment control connector
- Electro-hydraulic controlled angle and tilt
- 1/2" Connect under pressure couplers for simplified hose connections
- Angle 30° right or left off center
- Tilt 10° off horizontal both directions
- Tilt indicator visible from operator's seat

- Angle and tilt cylinders are interchangeable and equipped with self-aligning bushings
- Formed moldboard .31" thick & 28" high
- Large 3" center pivot pin with hardened steel bushings
- Full length high carbon steel, replaceable skid shoe
- Universal skid-steer loader quick attach mounting
- 1 Year Limited Warranty



SPECIFICATIONS	84" BLADE	96" BLADE
A. Overall Width	85"	97"
B. Width at 30 ° Angle	74"	84"
C. Angle Left and Right	30°	30°
D. Overall Length	37"	37"
Overall Height	30"	30"

COMPATIBILITY	PART NUMBER	WEIGHT	SSL						CTL			CWL			
			TS50R	TS60R	TS50V	TS60V	TS70R	TS70V	TS80R-2	TS80V-2	TL8	TL10	TL12	TW40	TW65-2
84" Dozer Blade (Six-Way)	BTL1200	1,300 lbs.							●	●	●	●			
96" Dozer Blade (Six-Way)	BTL12008	1,400 lbs.									●	●			