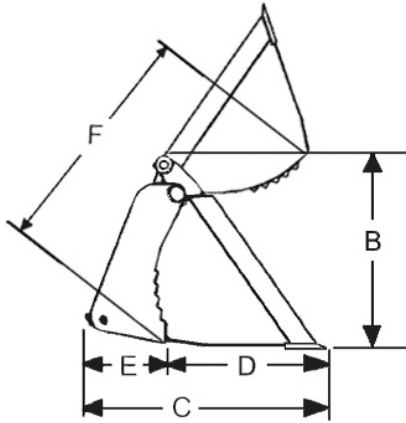




4-in-1 Multi-Purpose Bucket

- Heavy-duty hinges and pins to distribute load
- 1/2" Connect under pressure couplers for simplified hose connections
- Long floor design improves cutting edge visibility
- Constructed of high tensile steel for greater strength
- High Tensile steel side plates to support greater break out force
- Spherical bushings on cylinder ends (Heavy Duty)
- 1" x 6" cutting edge on front of clam and 3/4" x 6" high carbon edge on rear of clam (Heavy Duty)
- Bolt-on side cutters standard (Heavy Duty)
- Standard reversible bolt-on cutting edge standard on smooth buckets
- Optional spill guard for increased capacity
- Optional bolt-on tooth bar that will fit over bolt-on edge
- Weld-on shanks with heavy-duty 23 series side pin teeth standard on tooth buckets
- 1 Year Limited Warranty



SPECIFICATIONS	60" MD	66" MD	72" MD	72" HD	78" HD	84" HD
Overall Width	60.9"	66.9"	72.9"	73.0"	78.8"	84.8"
B. Overall Height	27.3"	27.3"	27.3"	27.7"	27.7"	27.7"
C. Overall Depth	34.5"	34.5"	34.5"	37.5"	37.5"	37.5"
D. Clamp Length	23"	23"	23"	26"	26"	26"
E. Back Blade Length	12.3"	12.3"	12.3"	11.5"	11.5"	11.5"
F. Clamp Opening	34.6"	34.6"	34.6"	34.8"	34.8"	34.8"
Heaped Capacity	12.2 Cu. Ft.	15.7 Cu. Ft.	17.2 Cu. Ft.	19.9 Cu. Ft.	21.7 Cu. Ft.	23.4 Cu. Ft.

COMPATIBILITY

	PART NUMBER	WEIGHT	SSL				CTL			CWL						
			TS50R	TS60R	TS50V	TS60V	TS70R	TS70V	TS80R-2	TS80V-2	TL8	TL10	TL12	TW40	TW65-2	TW80-2
60" 4-in-1 Multi Purpose Bucket - Smooth - Medium Duty	AMP60SMD	595 lbs.	*1	*1	*1	*1										
66" 4-in-1 Multi Purpose Bucket - Smooth - Medium Duty	AMP66SMD	630 lbs.	●	●	●	●				●				●		
66" 4-in-1 Multi Purpose Bucket - Tooth - Medium Duty	AMP66TMD	685 lbs.	●	●	●	●	*1	*1	*1	*1	●			●		
72" 4-in-1 Multi Purpose Bucket - Smooth - Medium Duty	AMP72SMD	665 lbs.					●	●	●	●	●					
72" 4-in-1 Multi Purpose Bucket - Tooth - Medium Duty	AMP72TMD	723 lbs.					●	●	●	●	●					
72" 4-in-1 Multi Purpose Bucket - Smooth - Heavy Duty	AMP72SHD	910 lbs.					●	●	●	●	●				*2	*2
72" 4-in-1 Multi Purpose Bucket - Tooth - Heavy Duty	AMP72THD	968 lbs.					●	●	●	●	●				*2	*2
78" 4-in-1 Multi Purpose Bucket - Smooth - Heavy Duty	AMP78SHD	945 lbs.							●	●	●	●			*2	*2
78" 4-in-1 Multi Purpose Bucket - Tooth - Heavy Duty	AMP78THD	1,003 lbs.							●	●	●	●			*2	*2
84" 4-in-1 Multi Purpose Bucket - Smooth - Heavy Duty	AMP84SHD	985 lbs.									●	●			*2	*2
84" 4-in-1 Multi Purpose Bucket - Tooth - Heavy Duty	AMP84THD	1,050 lbs.									●	●			*2	*2

*1 = Compatible with wheels reversed to narrow position

*2 = Compatible when used with SSL coupler adaptor