

HYDRAULIC EXCAVATOR

TAKEUCHI
From World First to World Leader

TB260



Product Features & Specifications

ENGINE

- U.S. EPA Final Tier 4 Compliant
- Turbocharged
- DOC+DPF Exhaust After Treatment
- Automatic Fuel Bleed System
- Dual Element Air Filter
- Automatic Idle
- Working Modes: Power, Eco, and High Altitude
- Engine Preheat Starting Aid
- High Capacity Radiator and Hydraulic Oil Cooler
- High Capacity Fuel Filters

ELECTRICAL

- Multi-Informational Display (canopy)
- 5.7" Color Multi-Informational Display (cab)
- Sealed Rocker Switches
- 12 volt System with 55 amp Alternator
- Halogen Work Lights: Two Forward Facing and One on the Right and Left Sides
- Travel Alarm
- Horn

TAKEUCHI FLEET MANAGEMENT

- 2 Year Standard Service
- Minimize Downtime
- Remote Diagnostics
- Utilization Tracking
- Proactive Maintenance
- Control Costs

UNDERCARRIAGE AND FRAME

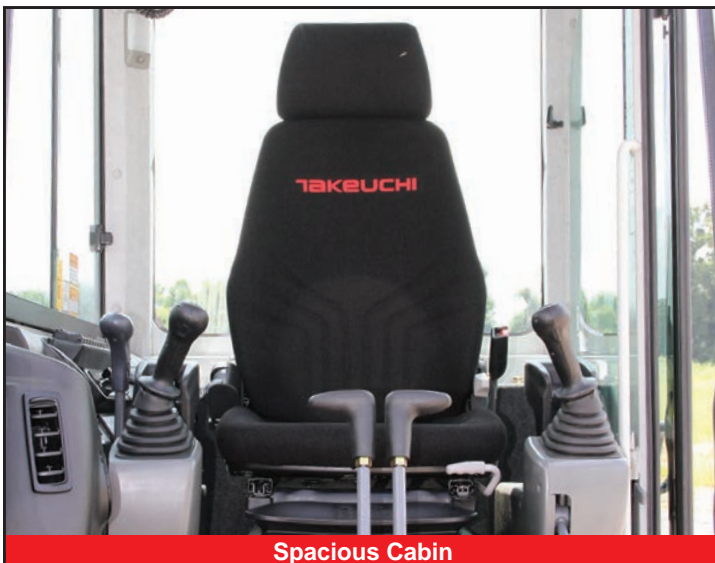
- Triple Flanged Track Rollers
- 2-Speed Travel with Automatic Shift
- High Torque Planetary Final Drive
- Heavy Duty Dozer Blade with Float
- Large Wrap Around Counterweight
- 15.7" Rubber Tracks
- 15.7" Steel Tracks (optional)
- 15.7" Segmented Rubber Tracks (optional)
- Power Angle Blade with Float and Bolt-on Cutting Edge (optional)

OPERATOR'S STATION

- ROPS / OPG Level 1 Four Post Canopy
- Deluxe High Back Suspension Seat
- Adjustable Arm Rests
- 2" Retractable Seat Belt
- 3" Retractable Seat Belt (optional)
- Cab with Air Conditioner, Heat Defrost, Windshield Wiper and Washer, Skylight with Sunshade, AM / FM / MP3 Radio, 12v Power Outlet (optional)

HYDRAULIC & WORKING EQUIPMENT

- Variable Displacement, Open Center Hydraulics
- Cushioned Boom, Arm, and Swing Cylinders
- Hydraulic Pilot Controls
- Proportional Auxiliary Controls with Detent
- Adjustable Auxiliary Flow
- Large Hydraulic Reservoir with Fluid Level Sight Gauge
- Primary and Secondary Auxiliary Hydraulic Circuit Plumbed to Arm
- Multiple Attachment Presets
- Flow Selector Valve, Primary Auxiliary Circuit
- Pattern Change Valve (ISO or SAE)
- Pilot Accumulator
- Main Boom Cylinder Guard
- Long Arm with Integrated Thumb Mount
- Dual Pin Position Bucket (optional)
- Mechanical Bucket Quick Coupler (optional)
- Main Pin Hydraulic Thumb (optional)



Spacious Cabin



Automotive Styled Interior

TOUGH, POWERFUL, RELIABLE



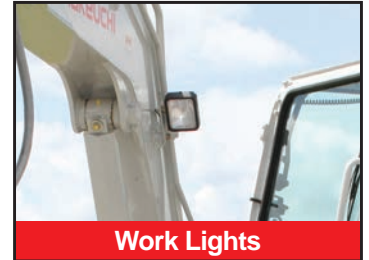
Large Floor with Foot Rest



Wraparound Counterweight



Triple Flanged Track Rollers



Work Lights

Known for its dependability and outstanding performance in the field, the TB260 offers lockable service access panels, automotive styled interior, and a smooth and powerful hydraulic system. Primary and secondary auxiliary hydraulic circuits and a high capacity hydraulic system make the TB260 an excellent attachment platform, and a pattern change valve located under the side cover allows the operator to choose their preferred operational control pattern before entering the machine. Once

in the cabin the operator will enjoy a deluxe high back suspension seat, a spacious interior that is comfortable and includes conveniently positioned rocker switches to control additional functions, and the dial throttle allows the operator to control engine speed effortlessly. Additional features include a U.S. EPA Final Tier 4 compliant engine with DOC and DPF, automatic idle, heavy duty cooling module, and a large wraparound counterweight that protects engine components from damage.



Large lockable service hoods provide vandalism protection and outstanding maintenance access.

OPERATING PERFORMANCE

Operating Weight - Canopy	12,125 lb	(5,500 kg)
Cab	12,645 lb	(5,735 kg)
Maximum Bucket Breakout Force	12,756 lb	(5,786 kg)
Maximum Arm Digging Force	5,755 lb	(2,610 kg)
Arm Length	5 ft 10.1 in	(1,780 mm)
Slew Speed	9.4 rpm	
Traction Force	14,006 lb	(6,353 kg)
Ground Pressure - Canopy	4.4 psi	(30.2 kPa)
Cab	4.6 psi	(31.5 kPa)
Max Travel Speed		
Low Range	1.7 mph	(2.8 km / hr)
High Range	3.0 mph	(4.9 km / hr)

HYDRAULIC SYSTEM

Total Hydraulic Flow	45.3 gpm	(171.5 Lpm)
Auxiliary Flow - Primary Circuit	27.0 gpm	(102.2 Lpm)
Auxiliary Flow - Secondary Circuit	11.6 gpm	(43.9 Lpm)
Hydraulic System Pressure	3,480 psi	(24.0 MPa)

ENGINE

Make / Model	Yanmar / 4TNV86CT
Displacement	127.6 cu in (2.1 L)
Horsepower @ 2,400 rpm	47.6 hp (35.5 kW)
Maximum Torque @ 1,560 rpm	130.5 ft-lb (177.0 Nm)

FLUID CAPACITIES

Engine Lubrication	7.8 qt	(7.4 L)
Cooling System	11.6 qt	(11.0 L)
Fuel Tank Capacity	21.3 gal	(81.0 L)
Fuel Consumption (65% of Full Load)	1.6 gal / hr	(6.3 L / hr)
Hydraulic Reservoir Capacity	12.9 gal	(49.0 L)
Hydraulic System Capacity	23.8 gal	(90.0 L)



Canopy Display



Cab Display





Long Arm with Thumb Mount



Multi-Function Switch Bank

TB260 Lifting Capacities at Ground Level*

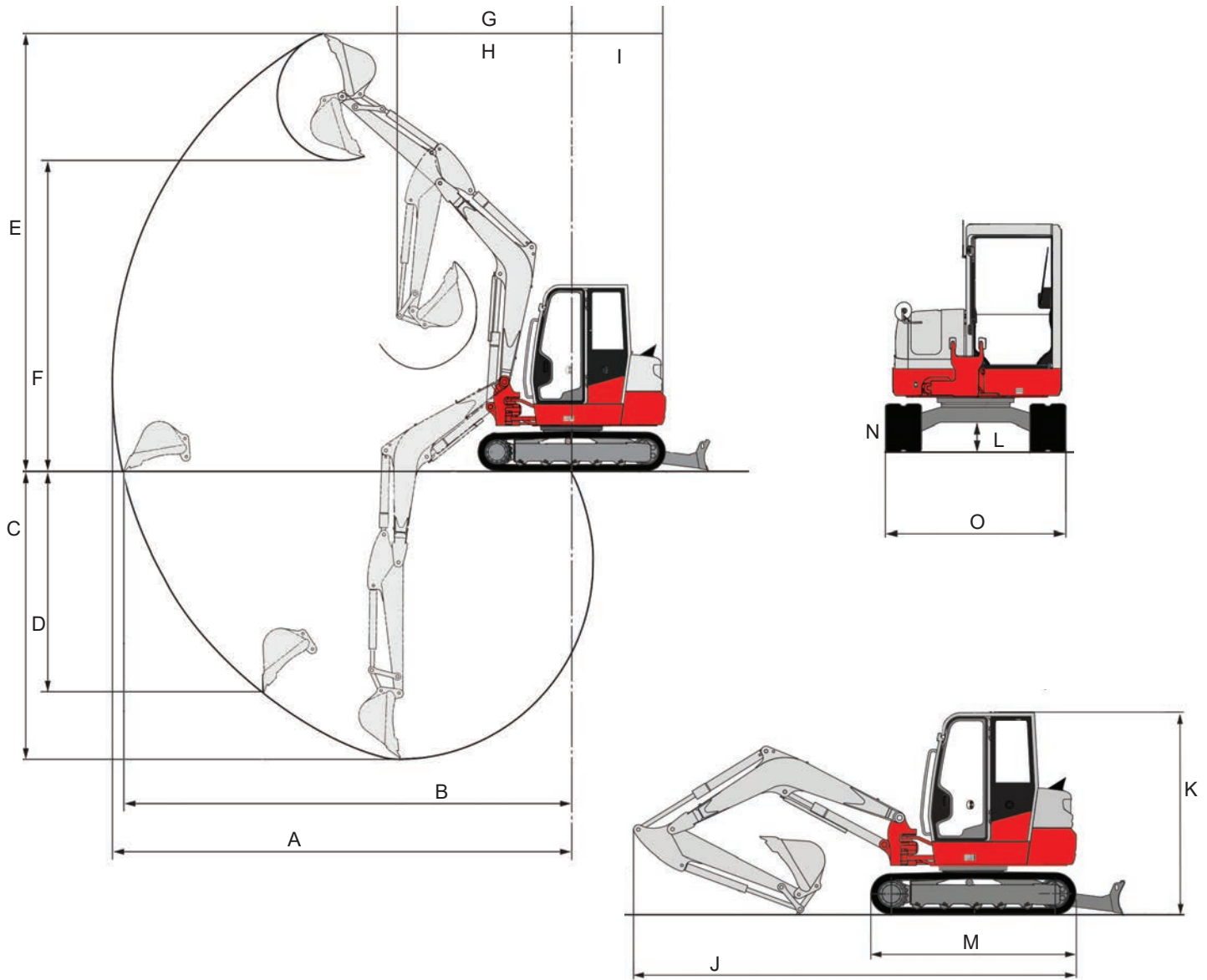
Lift Point Radius from Rotation Axis	9 ft (2,743 mm)		12 ft (3,657 mm)	
 Lifting Capacities Over Front, Blade Down	6,660 lb	(3,021 kg)	4,296 lb	(1,949 kg)
 Lifting Capacities Over Side	3,142 lb	(1,425 kg)	2,080 lb	(943 kg)

* Ratings based on ISO10567 and do not exceed 87% of hydraulic lift or 75% of tipping load.

ATTACHMENTS

Takeuchi now offers attachments for all of your Takeuchi equipment. See your authorized Takeuchi dealer for additional information and attachment options.

TB260 Compact Excavator



MACHINE DIMENSIONS

A	Maximum Reach	20 ft 6.9 in	(6,270 mm)
B	Maximum Reach at Ground Level	20 ft 1.4 in	(6,132 mm)
C	Maximum Digging Depth	12 ft 9.4 in	(3,895 mm)
D	Maximum Vertical Digging Depth	9 ft 9.3 in	(2,980 mm)
E	Maximum Dig Height	19 ft 5.9 in	(5,940 mm)
F	Maximum Dumping Height	13 ft 10.1 in	(4,220 mm)
G	Front Swing Radius	7 ft 11.3 in	(2,420 mm)
H	Front Swing Radius with Boom Offset	6 ft 5.8 in	(1,975 mm)
I	Tail Swing (Slew) Radius	4 ft 3.1 in	(1,300 mm)
J	Transport Length	18 ft 2.5 in	(5,550 mm)
K	Transport Height	8 ft 5.4 in	(2,575 mm)
L	Ground Clearance	13.1 in	(330 mm)
M	Undercarriage Length	8 ft 5.3 in	(2,575 mm)
N	Track Width (Rubber)	15.7 in	(400 mm)
O	Undercarriage Width	6 ft 6.7 in	(2,000 mm)



2 YEAR
2,000 HOUR
FULL MACHINE
WARRANTY



© 2017 Takeuchi Manufacturing (U.S.), Ltd. All Rights Reserved. Printed in the U.S.A.
In accordance with our established policy of continued improvement, specifications and features are subject to change without notice. Pictures may show options other than standard equipment.

FORM: TB260 Compact Excavator Spec Sheet - Aug 2017
(TFM) s/n (CNP) 126101274 - 126101275, 126101302 ~ (TFM) s/n (CAB) 126101605 ~

TAKEUCHI
From World First to World Leader