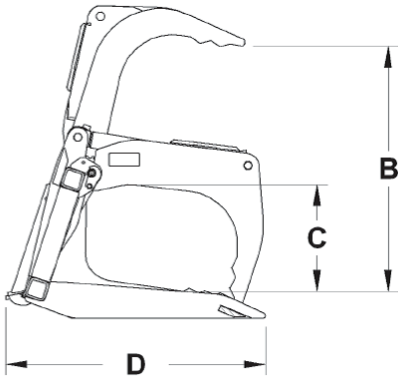




### Brush Grapple - Medium and Heavy-Duty

- Tined bottom to allow dirt to fall away
- Heavy-duty hinges and pins to distribute load
- 1/2" Connect under pressure couplers for simplified hose connections
- Standard cylinder guards protect cylinder components
- Standard load check valve
- 1 1/4" cylinder pivot pins
- 1 1/4" x 24" patented grapple pins reduce torsional force
- Durable Tines: Medium-Duty = 3/8", Heavy-Duty = 1/2"
- 6" tine spacing
- Large Diameter Cushioned cylinders
- 100,000 PSI High strength tine material
- 1 Year Limited Warranty



SPECIFICATIONS	60" MD	66" MD	72" MD	
Overall Width	60.75"	66.75"	72.75"	
B. Height - Open	33"	33"	33"	
C. Height - Closed	17.4"	17.4"	17.4"	
D. Overall Depth	36"	36"	36"	
Number of Tines	11	12	14	
SPECIFICATIONS	72" HD	78" HD	84" HD	90" HD
Overall Width	72"	78"	84"	90"
B. Height - Open	40"	40"	40"	40"
C. Height - Closed	16.5"	16.5"	16.5"	16.5"
D. Overall Depth	38"	38"	38"	38"
Number of Tines	14	14	16	16

COMPATIBILITY	PART NUMBER	WEIGHT	SSL				CTL			CWL						
			TS50R	TS60R	TS50V	TS60V	TS70R	TS70V	TS80R-2	TS80V-2	TL8	TL10	TL12	TW40	TW65-2	TW80-2
60" Brush Grapple - Medium Duty (Tined)	AGB60MD	723 lbs.	*1	*1	*1	*1										
66" Brush Grapple - Medium Duty (Tined)	AGB66MD	700 lbs.	●	●	●	●	*1	*1	*1	*1	●			●		
72" Brush Grapple - Medium Duty (Tined)	AGB72MD	755 lbs.					●	●	●	●						
72" Brush Grapple - Heavy Duty (Tined)	AGB72HD	925 lbs.					●	●	●	●					*2	*2
78" Brush Grapple - Heavy Duty (Tined)	AGB78HD	999 lbs.					●	●	●	●	●				*2	*2
84" Brush Grapple - Heavy Duty (Tined)	AGB84HD	1,054 lbs.									●	●			*2	*2
90" Brush Grapple - Heavy Duty (Tined)	AGB90HD	1,105 lbs.										●			*2	*2

\*1 = Compatible with wheels reversed to narrow position

\*2 = Compatible when used with SSL coupler adaptor